

KRUGER

MTD Series

MIXED FLOW IN-LINE DUCT FAN



Mixed Flow In-Line Duct Fan – MTD Series



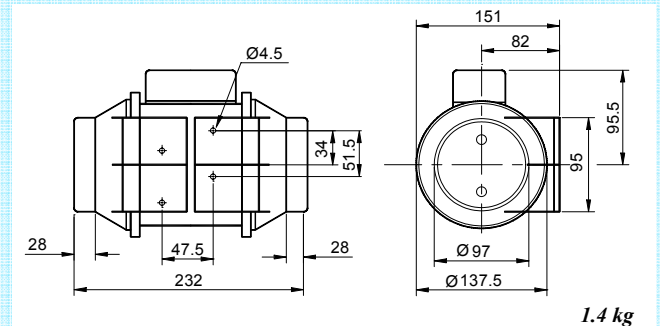
- Specifically designed for direct connection with industrial circular ducting of standard diameter.
- Incorporate a powerful motor which is factory matched to a mixed flow impeller.
- Delivers high airflow performance with minimum noise generation and high static pressure typically found in ducted ventilation systems.
- Model 200 and below are manufactured in tough reinforced plastic, while models 250 & 315 in steel casing. All models are finished in tough epoxy-polyester paint coating.
- Impeller blades of model 200 & below are moulded in tough ABS plastic, models 250 & 315 are constructed from pressed galvanised sheet steel.
- Easy installation and maintenance - support brackets allow the motor and impeller assembly to be fitted or removed without dismantling the adjacent ducting.
- Fitted with direct connection two speed motors as standard with thermal overload protection. All motors are suitable for speed control regulation using electronic or auto-transformer.
- Max. operating temperature +40 °C.



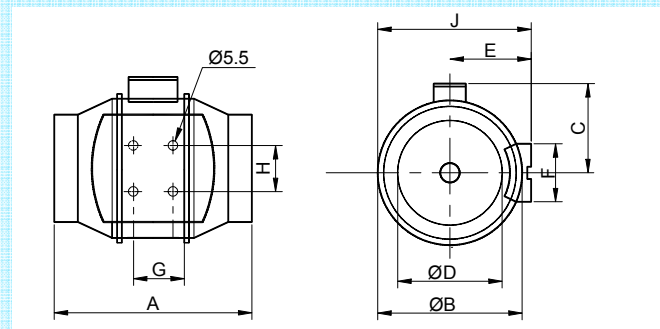
Kruger Ventilation Industries Asia Co., Ltd certifies that the **MTD series** shown herein is licensed to bear the AMCA Seal. The ratings shown are based on tests and procedures performed in accordance with AMCA publication 211 and AMCA publication 311 and comply with the requirements of the AMCA Certified Ratings Program. Models MTD 100/2-6 and MTD 125-6 are not licensed by AMCA international

Dimension

MTD 100/1

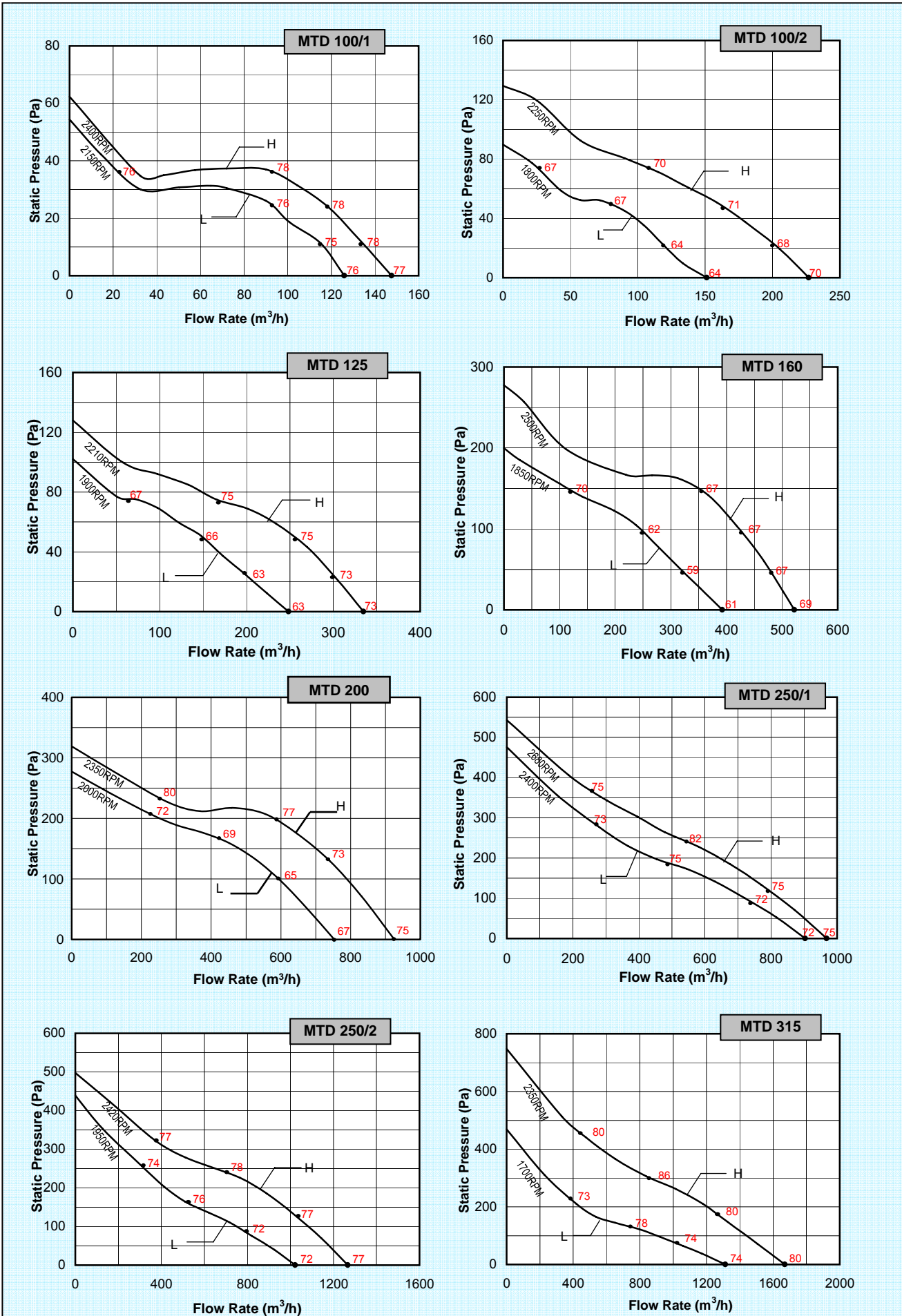


MTD 100/2 - 315

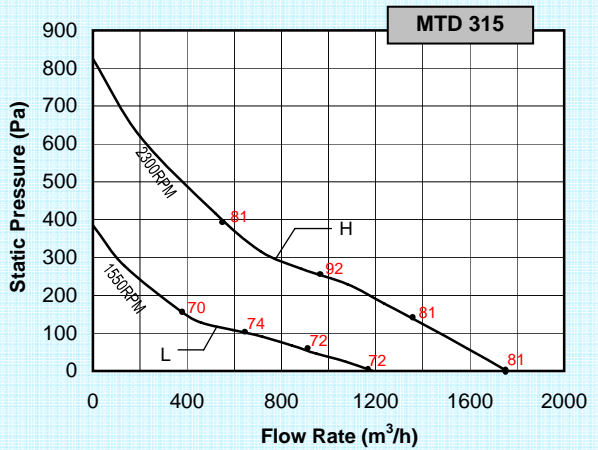
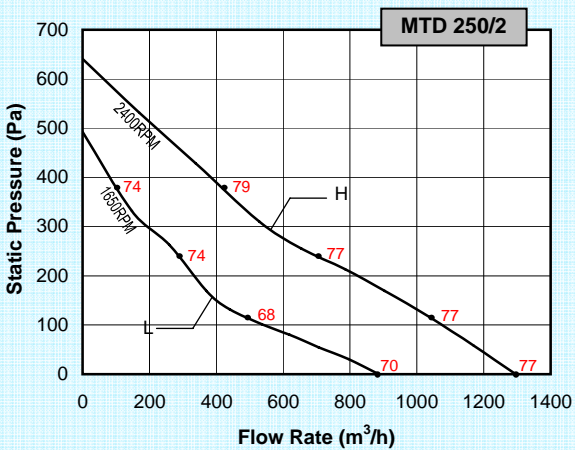
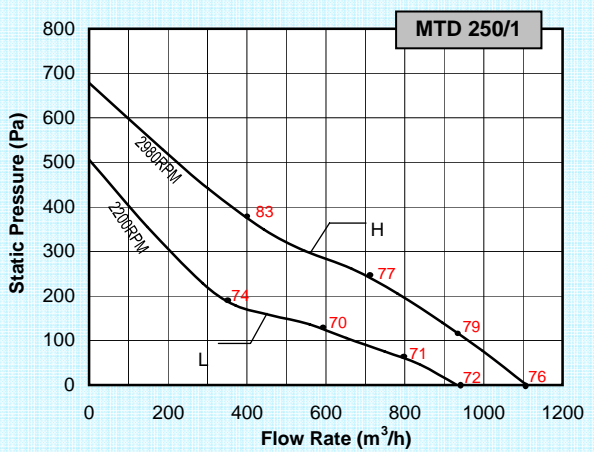
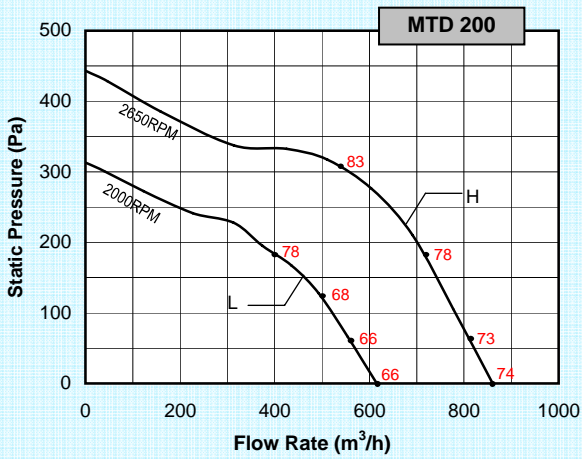
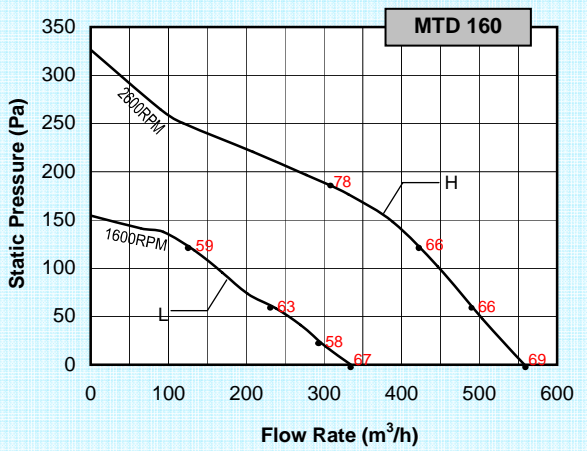
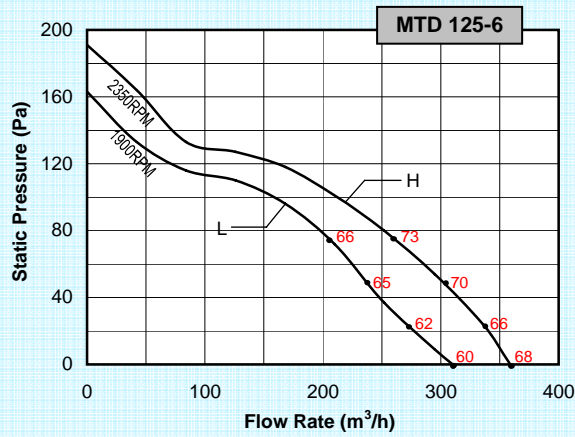
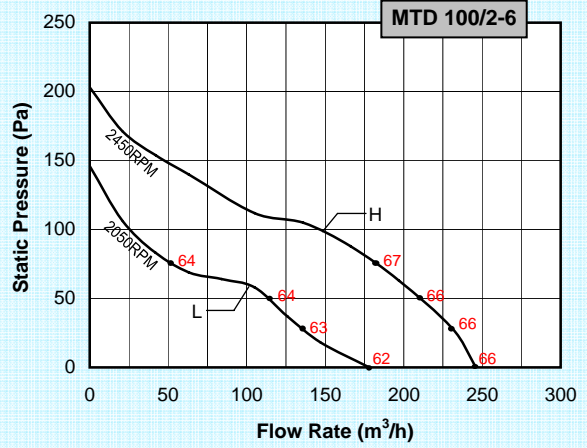
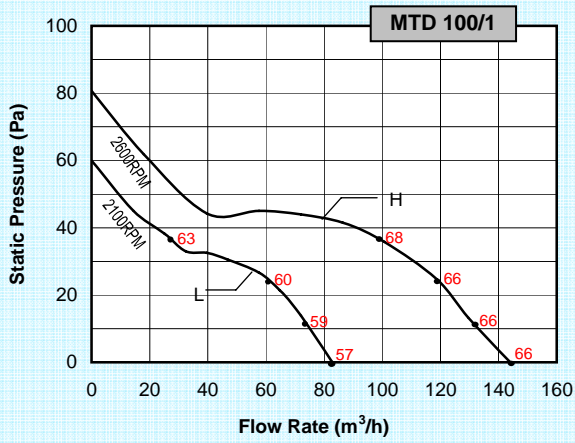


Model	A	ØB	C	ØD	E	F	G	H	J	kg
MTD 100/2	303	176	115	97	100	90	80	60	188	2.0
MTD 100/2-6	303	176	115	97	100	90	80	60	188	2.0
MTD 125	258	176	115	123	100	90	80	60	188	2.0
MTD 125-6	258	176	115	123	100	90	80	60	188	2.0
MTD 160	295	200	127	157	112	130	80	60	212	4.9
MTD 200	302	217	141	198	124	140	100	94	232.5	4.9
MTD 250	386	272	192	248	155	168	145	140	291	9.4
MTD 315	450	336	224	312	188	210	182	178	356	14.0

All dimensions in mm.



- Speed (RPM) shown is nominal. Performance is based on actual speed of test.
- Performance ratings do not include the effects of appurtenances (accessories).
- Values shown are fan inlet Lw(A) sound power level for installation type D: ducted inlet, ducted outlet. Ratings include the effect of duct and correction.
- The A-weighted sound ratings shown have been calculated per AMCA International Standard 301.

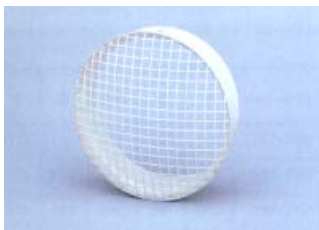


- Speed (RPM) shown is nominal. Performance is based on actual speed of test.
- Performance ratings do not include the effects of appurtenances (accessories).
- Values shown are fan inlet Lw(A) sound power level for installation type D: ducted inlet, ducted outlet. Ratings include the effect of duct and correction.
- The A-weighted sound ratings shown have been calculated per AMCA International Standard 301.
- MTD 100/2-6 and MTD 125-6 are not licensed by AMCA.

Technical Data										
Model	Max Q m ³ /h	Power W	Motor Protection	Phase	N° Pole	Hz	Max Amp	Insulation Class	dB (A) at 3m	RPM
MTD 100/1	148 / 125	33 / 20	IP44	1	2	50	0.25 / 0.15	B	58 / 56	2400 / 2150
	145 / 85	31 / 21	IP44	1	2	60	0.18 / 0.13	B	45 / 37	2600 / 2100
MTD 100/2	225 / 150	44 / 27	IP44	1	2	50	0.26 / 0.18	B	50 / 44	2250 / 1800
MTD 100/2-6	250 / 185	55 / 37	IP44	1	2	60	0.26 / 0.18	B	46 / 42	2450 / 2050
MTD 125	335 / 250	49 / 33	IP44	1	2	50	0.37 / 0.26	B	52 / 42	2210 / 1900
MTD 125-6	360 / 300	55 / 39	IP44	1	2	60	0.37 / 0.26	B	51 / 40	2350 / 1900
MTD 160	520 / 390	55 / 48	IP44	1	2	50	0.30 / 0.22	B	48 / 41	2500 / 1850
	558 / 335	68 / 52	IP44	1	2	60	0.31 / 0.23	B	49 / 38	2600 / 1600
MTD 200	840 / 690	116 / 107	IP44	1	2	50	0.55 / 0.41	B	55 / 48	2350 / 2000
	860 / 615	170 / 109	IP44	1	2	60	0.68 / 0.51	B	54 / 46	2650 / 2000
MTD 250/1	970 / 905	130 / 101	IP44	1	2	50	0.65 / 0.39	B	54 / 51	2680 / 2400
	1110/ 932	180 / 135	IP44	1	2	60	0.65 / 0.39	B	56 / 52	2980 / 2200
MTD 250/2	1270/1020	192 / 141	IP44	1	2	50	0.72 / 0.48	B	57 / 52	2420 / 1950
	1295/ 885	257 / 162	IP44	1	2	60	1.00 / 0.67	B	57 / 50	2400 / 1650
MTD 315	1670/1315	283 / 175	IP44	1	2	50	1.30 / 0.90	B	59 / 53	2350 / 1700
	1757/1188	352 / 186	IP44	1	2	60	1.50 / 1.00	B	60 / 52	2300 / 1550

- Speed (RPM) shown is nominal. Performance is based on actual speed of test.
- Performance ratings do not include the effects of appurtenances (accessories).
- dB(A) at 3m with ducted inlet and outlet at free field conditions. dB(A) is not licensed by AMCA International.
- MTD 100/2-6 and MTD 125-6 are not licensed by AMCA.

Accessories



Grilles

Mounted at the inlet or outlet of the fan, the grille prevents the entry of any foreign objects.



Rectangular Duct Adapters

The adapter enables the MTD fan to be connected to rectangular ducting



Back-Draft Shutter

Mounted at the outlet of the MTD fan, the shutter prevents the air re-circulating when the fan is not in use.

• THAILAND (Regional HQ)

KRUGER VENTILATION INDUSTRIES ASIA CO. LTD.

30/159 Moo 1, Sinsakorn Industrial Estate,
Chetsadawithi Road, Khok Kham Mueng, Samuthsakorn 74000, Thailand
Tel. +662 1054298 - Fax +662 0248256 to 9
Website: www.krugerfan.com

• CHINA (BEIJING)

BEIJING KRUGER VENTILATION CO. LTD

Level 7, A Block, Rising International Building, 29 JingHai San Road, BDA,
Beijing, P.R.China 100176
Tel. +86 10-67881366 - Fax +86 10-67880566
Email: krugertj@krugertj.com

• CHINA (SHANGHAI)

SHANGHAI KRUGER VENTILATION CO. LTD

No. 500 Yuanguo Road, Anting, Jiading,
Shanghai 201814 P.R. China
Tel. +86 21-69573266 - Fax +86 21-69573296
Email: shkruger@krugerchina.com

• CHINA (WUHAN)

WUHAN KRUGER VENTILATION CO. LTD

No. 805, Huijian Ave, Dongxihu District, Wuhan, Hubei, P.R. China 430000
Tel. +86 27- 83248840/83060522/83097505
Fax +86 27- 83261886
Email: whkruger@krugerwh.com

• HONG KONG

KRUGER VENTILATION (HONG KONG) LIMITED

Flat C, 9/F, Yeung Yiu Chung (No.8) Industrial Building,
20 Wang Hoi Road, Kowloon Bay, Kowloon, Hong Kong
Tel. +852 22469182 - Fax +852 22469187
Email: info@kruger.com.hk

• INDIA (NORTH)

KRUGER VENTILATION INDUSTRIES (NORTH INDIA) PVT LTD

Plot No. - 191, Sector - 59, Ballabgarh, Faridabad - 121 004, Haryana, India
Tel. +91-9958991660/9717449696
Fax. +91-1294135820
Email: sales.kni@krugerindia.com

• KOREA

NEOMATE CO. LTD

2-1010, Ace High Tech City B/D, 775 Gyeongin-ro,
Yeongdeungpo-gu, Seoul, Korea. Postal Code 07299
Tel. +82-2-2679-2052 - Fax. +82-2-2679-2174
Email: y7890@neomate.co.kr

• MYANMAR

KRUGER VENTILATION (MYANMAR) CO.LTD

Room No. F21, Thiri Yadanar Whole Sale Market, (Htawunbe)
Toe Chae Ward, North Okkalapa Township, Yangon.
Tel. +959 763141081/2/3
Email: htoon@krugermm.com

• SINGAPORE

KRUGER ENGINEERING PTE LTD

No. 10 Buroh Street #06-06, WestConnect Building,
Singapore 627564
Tel. +65 68631191 - Fax +65 68631151
Email: mktg@krugerasia.com

• THAILAND

KRUGER VENTILATION IND. (THAILAND) CO. LTD

30/105 Moo 1, Sinsakorn Industrial Estate,
Chetsadawithi Road, Khok Kham Mueng, Samuthsakorn 74000, Thailand
Tel. +662 1050399 - Fax + 662 1050370-2
Email: mktg@kruger.co.th

• AUSTRALIA

S&P-KRUGER AUSTRALIA PTY LTD

2 Cunningham St, Moorebank N.S.W. 2170
Tel. +61 2-98227747
Fax. +61 2-98227757
Email: info@sandpkruger.com.au

• CHINA (GUANGZHOU)

GUANGZHOU KRUGER VENTILATION CO. LTD

No. 9 Huahui Road, Huashan, Huadu,
Guangzhou, P.R. China 510880
Tel. +86 20-66356635 - Fax +86 20-86786001/86786500
Email: gzkruiger@krugergz.com

• CHINA (TIANJIN)

TIANJIN KRUGER VENTILATION CO. LTD

No.168 Anyuan Road, Jingjin Science and Technology Park
Wuqing District, Tianjin, China
Tel. +86 22-22143480/3481 - Fax +86 22-22143482
Email: krugertj@krugertj.com

• DUBAI

KRUGER VENTILATION INDUSTRIES, GULF BRANCH

Jebel Ali Free Zone Area (JAFZA) P.O. Box No. 262949, Dubai, UAE
Tel. +971 4 8819188/8832017
Fax. +971 4 8832018
Email: johncs@krugerasia.com

• INDIA

KRUGER VENTILATION INDUSTRIES (INDIA) PVT LTD

Kruger Centre, Mumbai-Nasik Highway,
Kalamgaon, Shahapur, Thane 421601, Maharashtra, India
Tel. +91 9960558899/9975577211 - Fax +91 2527 240075
Email: sales@krugerindia.com

• INDONESIA

P.T. KRUGER VENTILATION INDONESIA

JL. Teuku Umar No.20,
Karawaci - Tangerang 15115, Indonesia
Tel. +62 21-5512288/5513557 - Fax +62 21-5513502
Email: mktg@krugerindo.co.id

• MALAYSIA

KRUVENT INDUSTRIES (M) SDN BHD

Lot 850, Jalan Subang 7, Taman Perindustrian Subang,
47500, Subang Jaya, Selangor D.E.
Tel. +603 80743399 - Fax +603 80743388
Email: mktg@kruger.com.my

• PHILIPPINES

KRUGER M&E INDUSTRIES CORPORATION

FAPI Compound, E. Rodriguez Ave.
Tunasan, Muntinlupa City 1773, Philippines
Tel. +63 2-8622892/4/6/7, 5534059 - Fax +63 2-8622891
Email: mktg@krugerph.net

• TAIPEI

KRUGER VENTILATION (TAIWAN) CO. LTD

No. 157, Ping-an Rd, Hengfeng Village,
Dayuan Shiang Taoyuan County 337, Taiwan
Tel. +886 3-3859119 - Fax +886 3-3859118
Email: sales@krugertwn.com.tw

• VIETNAM

KRUGER VENTILATION INDUSTRIES (VIETNAM) CO. LTD

Lot A7. 2-4, C2 Road, Thanh Thanh Cong IZ,
Trang Bang Dist. Tay Ninh Province, Vietnam
Tel. +84-276 3585200/01/02 - Fax +84-276 3585199
Email: mktg@krugervn.com

The company is always improving and developing its products, therefore the company reserves the right of making changes to the illustrated products. Certified dimension can be provided upon request.