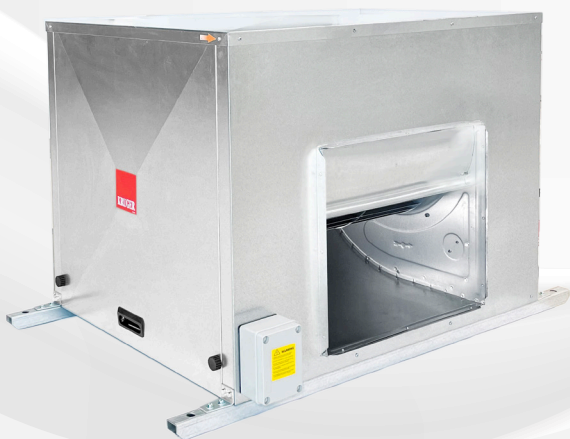




# **CCE Series Cabinet Fan**

Inline Centrifugal Cabinet Fan



✘ Compact    ⚙️ Easy to Maintenance    🔊 Low Noise

# Why KRUGER?

KRUGER has been a leading innovator and manufacturer of residential, commercial and industrial fan application solutions across Asia since 1985. Today with a direct presence in over 18 regions throughout Asia; world class R&D and manufacturing facilities; KRUGER are able to offer their customers unparalleled service and support at a local level. Our customers place their trust in KRUGER.



## What is a KRUGER CCE Inline Centrifugal Cabinet Fan?

The CCE series is a double inlet centrifugal inline fan designed for supply, exhaust and pressurization in general clean air application with CL-F insulation motor. It is compact, generates high flow rate and low noise.

## Why use a KRUGER CCE Cabinet Fan?



### Compact size

**Smaller footprint/space** >>>> **More usable area for occupants**

CCE series compact size cabinet require smaller for installation and it could be installed above ceiling.

### Low noise

**Installation near occupant** >>>> **Flexible installation location**

KRUGER CCE Series offer one of the lowest noise /CMH in the industry.



### Easy to maintenance

**Direct without the belt, bearing and sheaves** >>>> **Lower maintenance cost**

CCE fan impeller is directly mouted to motor shaft, eliminate the loss due to drive transmission, require less fan parts and no maintenance needed.

### High air volume

**Ventilation for larger space** >>>> **Suitable for many applications**

CCE paired with DIDW forward curved wheel, which could generate high airflow rate at a small footprint.



# Summary of Key Standard CCE Series Specifications

**A** Airflow and static pressure up to 18,000 CMH and 1000 Pa.

**B** Airstream Operating Temperatures  
Clean air standard ventilation application -20°C to +40°C.

**C** Certifications



Kruger Ventilation Industries Asia Co., Ltd certifies that the CCE series shown herein is licensed to bear the AMCA Seal.

The ratings shown are based on tests and procedures performed in accordance with AMCA Publication 211 and AMCA Publication 311 and comply with the requirements of the AMCA Certified Ratings Program.

**D** Cabinet

With high gloss surface finished manufactured from ZERO spangle galvanized steel.

**E** Double Width Forward Curved Wheel

Wheel manufactured in high gloss surface finished manufactured from ZERO spangle galvanized steel. All wheels are statically and dynamically balanced to G2.5 in accordance with ISO 21940.

**F** Modularized Cabinet Design

INSTALL & SERVICE-FRIENDLY, removable access panel on both sides for easy access to fan and motor.

**G** Duct Collars/L-Inlet and Outlet Fan



## Options and Accessories

**H** : Inlet and Outlet Protection Nets

**J** : Flexible Duct

**K** : "Double Skin" Cabinet with Acoustic and Thermal Insulation

**L** : Isolators

# Typical Applications



Office



Apartment



Hospital



Toilet

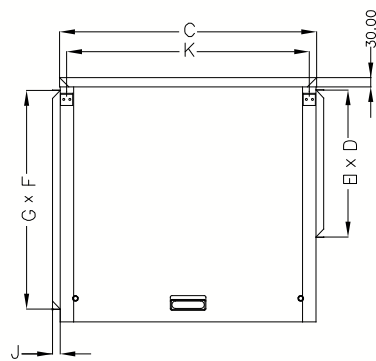
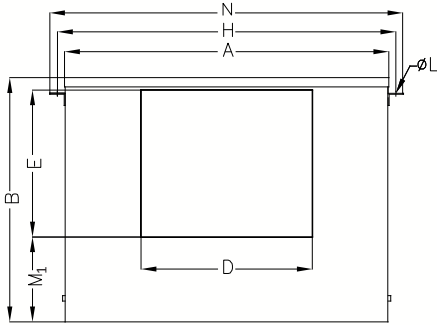
## Technical Data

Model	Max Q (m <sup>3</sup> /h)	Max Ps (Pa)	Maximum Motor Input Power (W)	Motor Protection	Phase	Hz	Maximum Current (A)	Voltage (V)	Capacitor (µF/V)	Insulation Class	Lp (A) at 3m free discharge (dB (A)) <sup>a</sup>	Speed (RPM)	Motor model number
CCE 140 4P-1 1SY	641	157	112	IP20	1	50	0.6	220	4.0/450	F	61	1450	F3MC7314
CCE 160 4P-1 1SY	914	258	148	IP20	1	50	0.7	220	4.0/450	F	52	1400	F3MC7314
CCE 7-7 4P-1 1SY	1577	318	255	IP20	1	50	1.1	220	7.5/450	F	52	1300	F3MC7317
CCE 8-8 4P-1 1SY	1613	437	328	IP20	1	50	1.4	220	7.5/450	F	50	1300	F3MC7317
CCE 9-7T 4P-1 3SY	1879	513	560/500/430	IP20	1	50	2.6/2.3/2.1	220	7.5/400	F	51	1200/1150/1100	F3MC7315
CCE 9-7 4P-1 3SY	2084	568	590/500/430	IP20	1	50	2.7/2.5/2.0	220	7.5/400	F	47	1200/1150/1100	F3MC7315
CCE 9-9T 4P-1 3SY	2426	556	780/520/360	IP20	1	50	3.5/2.5/1.8	220	12.5/450	F	56	1300/1100/800	F3MC7316
CCE 9-9 4P-1 3SY	2574	522	800/520/360	IP20	1	50	3.6/2.4/1.7	220	12.5/450	F	51	1300/1100/800	F3MC7316
CCE 10-8 4P-1 3SY	3639	740	1370/1120/940	IP20	1	50	6.3/5.2/4.5	220	16.0/450	F	59	1300/1250/1150	F3MC7308
CCE 10-10 4P-1 3SY	3857	752	1420/1100/950	IP20	1	50	6.6/5.2/4.6	220	16.0/450	F	59	1300/1250/1150	F3MC7308
CCE 12-9 6P-1 3SY	4547	427	1150/700/450	IP20	1	50	5.8/3.6/2.5	220	12.5/450	F	59	940/820/620	F3MC7309
CCE 12-12 6P-1 3SY	5200	455	1220/700/450	IP20	1	50	6.2/3.7/2.5	220	12.5/450	F	62	940/820/620	F3MC7309
CCE 15-11 6P-3 1S	9770	570	3563	IP55	3	50	6.7	380	-	F	65	950	MK280C
CCE 15-11 6P-3 1S6	9177	842	4426	IP55	3	60	7.7	380	-	F	68	1100	MK280C
CCE 15-15 6P-3 1S	11490	577	3987	IP55	3	50	8.2	380	-	F	68	950	MK300C
CCE 15-15 6P-3 1S6	11056	862	5333	IP55	3	60	11.2	380	-	F	73	1120	MK300C
CCE 18-13 6P-3 1S	16463	710	7953	IP55	3	50	14.8	380	-	F	71	960	MK320C
CCE 18-18 6P3 1S6	15152	1061	9521	IP55	3	60	16.3	380	-	F	73	1150	MK320C
CCE 18-18 6P-3 1S	18645	745	8511	IP55	3	50	16.0	380	-	F	71	960	MK330C
CCE 18-18 6P-3 1S6	17255	1037	10024	IP55	3	60	17.8	380	-	F	73	1150	MK330C

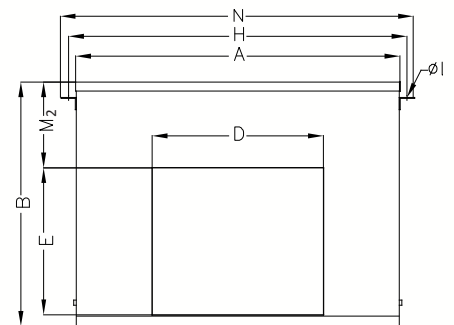
- Values shown are for inlet Lwi(A) sound power levels for installation type D – Ducted inlet, Ducted outlet. The A-weighted sound ratings shown have been calculated per AMCA International Standard 301. Ratings include the effects of duct end correction.
- Performance certified is for installation type D – Ducted inlet, Ducted outlet.
- Performance ratings do not include the effects of appurtenances (accessories).
- Speed (RPM) shown is nominal. Performance is based on actual speed of test.
- Lp(A) at 3m free discharge dB(A) levels are not licensed by AMCA International.

# Dimension

90° Orientation



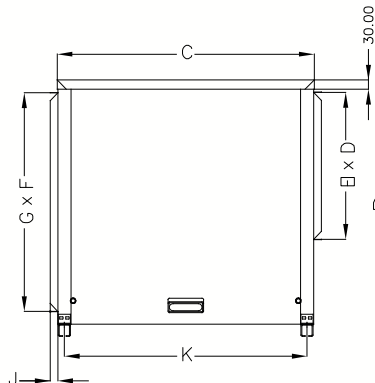
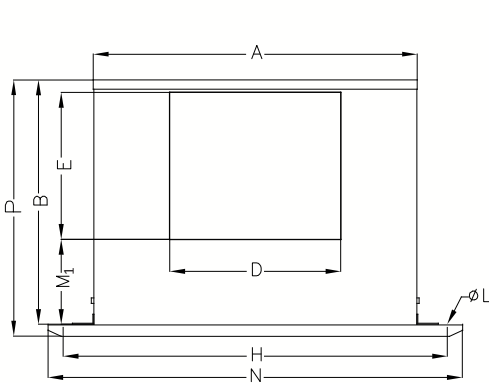
270° Orientation



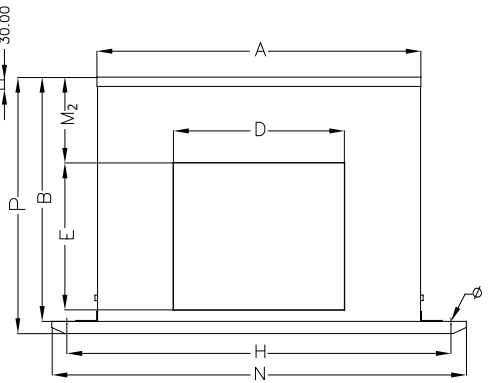
Model	A	B	C	D	E	F	G	H	J	K	L	M <sub>1</sub>	M <sub>2</sub>	N	Wt.(kg)
CCE 140	403	316	268	198	111	210	160	441	25	233	9	113	140	481	8.5
CCE 160	453	356	308	204	204	230	270	490	25	265	9	125	105	530	12
CCE 7/7	442	401	392	263	232	240	344	491	25	340	9	139	132	541	15
CCE 8/8	502	451	442	291	260	291	384	549	25	379	9	150	143	600	18
CCE 9/7T	572	401	393	236	266	348	322	621	25	340	9	83	117	671	20
CCE 9/7	573	451	442	236	266	348	382	619	25	378	9	143	159	670	22
CCE 9/9T	572	401	393	302	266	348	322	621	25	340	9	83	117	671	22
CCE 9/9	573	451	442	302	266	348	382	619	25	378	9	143	159	670	24
CCE 10/8	652	561	502	269	293	410	462	699	25	431	9	171	217	749	30
CCE 10/10	652	561	502	335	293	410	462	699	25	431	9	171	217	749	32
CCE 12/9	743	631	573	313	345	510	547	790	25	526	9	185	254	840	38
CCE 12/12	743	631	573	399	345	510	547	790	25	526	9	185	254	840	40

All dimension in mm.

90° Orientation



270° Orientation

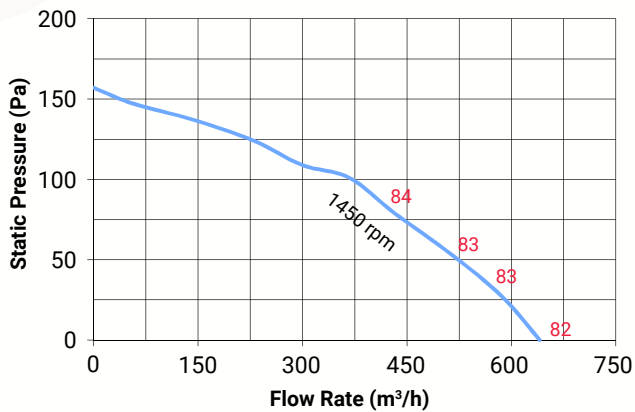


Model	A	B	C	D	E	F	G	H	J	K	L	M <sub>1</sub>	M <sub>2</sub>	N	P	Wt.(kg)
CCE 15/11	843	711	743	377	408	620	626	1040	25	699	19	223	286	1140	751	74
CCE 15/15	843	711	743	475	408	620	626	1040	25	699	19	223	286	1140	751	84
CCE 18/13	1063	801	843	434	482	717	760	1260	25	796	19	279	302	1360	841	121
CCE 18/18	1063	801	843	561	482	717	760	1260	25	796	19	279	302	1360	841	127

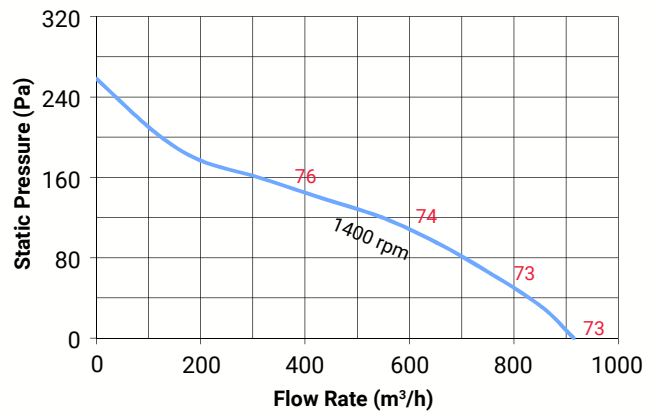
All dimension in mm.

# Performance Data

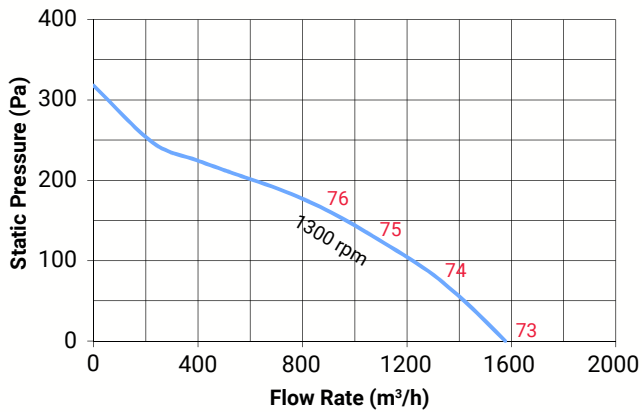
**CCE 140 4P-1 1SY**



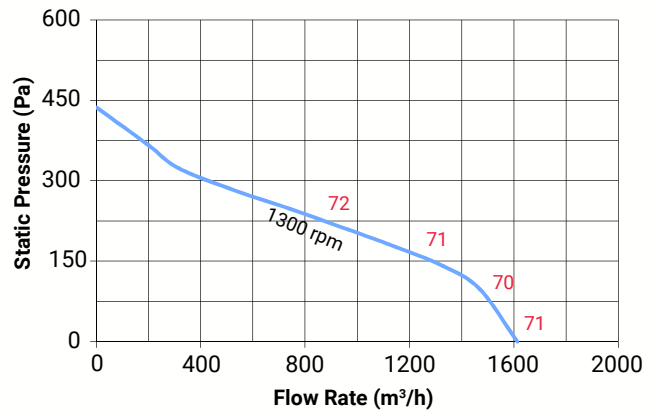
**CCE 160 4P-1 1SY**



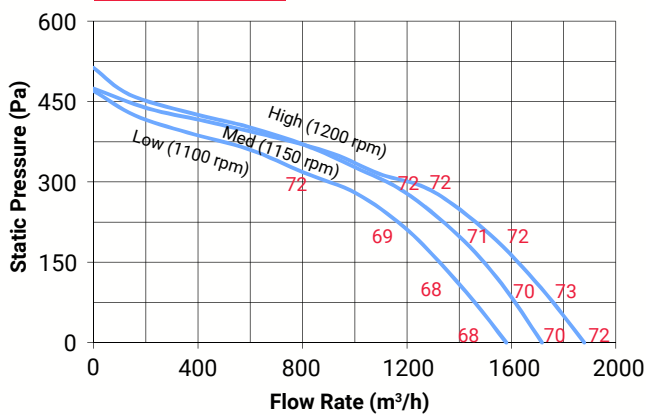
**CCE 7-7 4P-1 1SY**



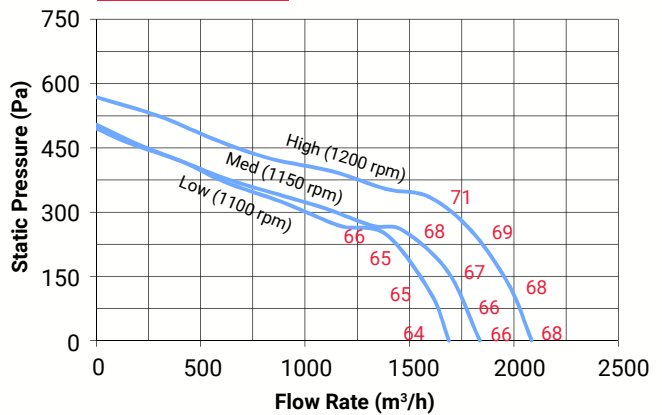
**CCE 8-8 4P-1 1SY**



**CCE 9-7T 4P-1 3SY**

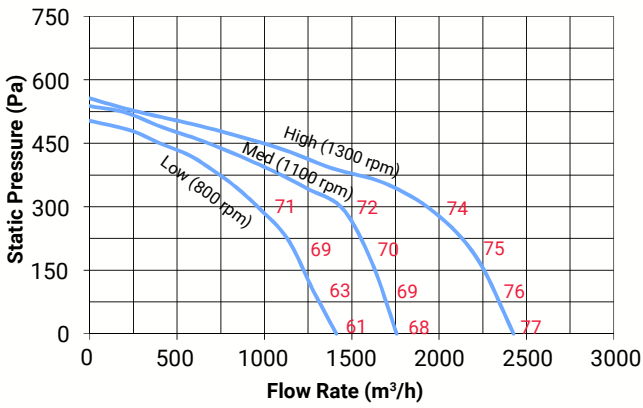


**CCE 9-7 4P-1 3SY**

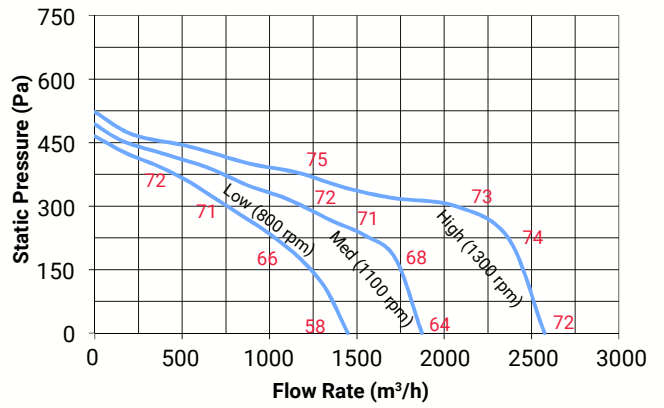


- Values shown are for inlet Lwi(A) sound power levels for installation type D – Ducted inlet, Ducted outlet. The A-weighted sound ratings shown have been calculated per AMCA International Standard 301. Ratings include the effects of duct end correction.
- Performance certified is for installation type D – Ducted inlet, Ducted outlet.
- Performance ratings do not include the effects of appurtenances (accessories).
- Speed (RPM) shown is nominal. Performance is based on actual speed of test.

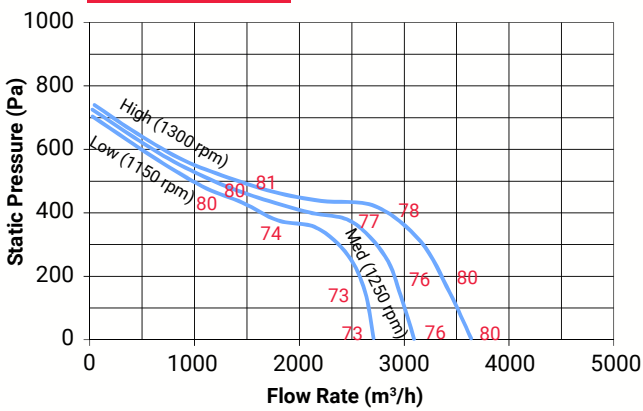
CCE 9-9T 4P-1 3SY



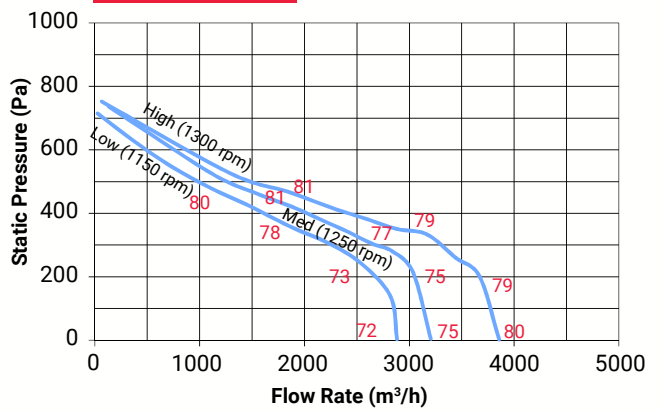
CCE 9-9 4P-1 3SY



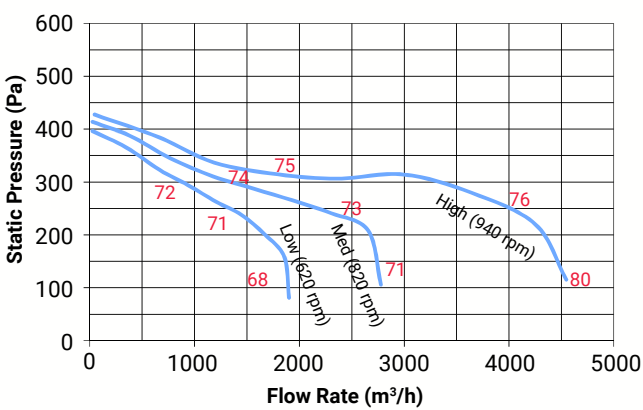
CCE 10-8 4P-1 3SY



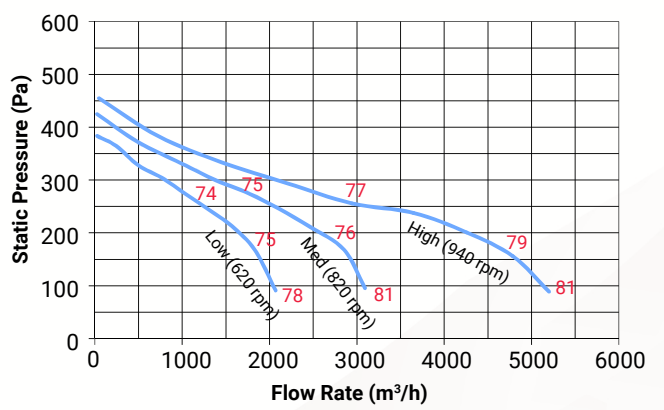
CCE 10-10 4P-1 3SY



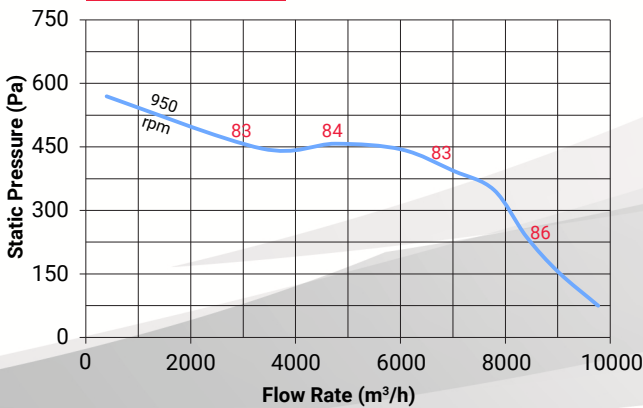
CCE 12-9 6P-1 3SY



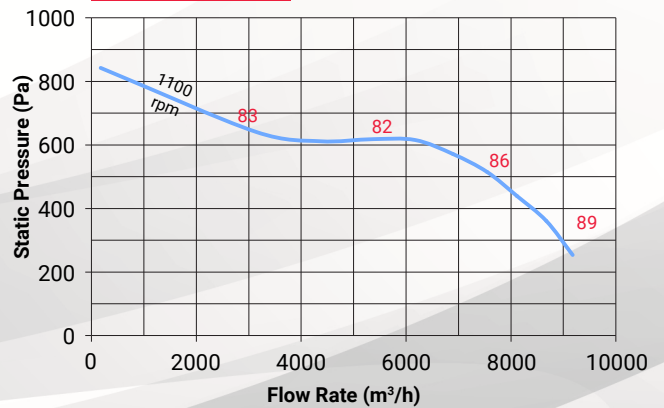
CCE 12-12 6P-1 3SY

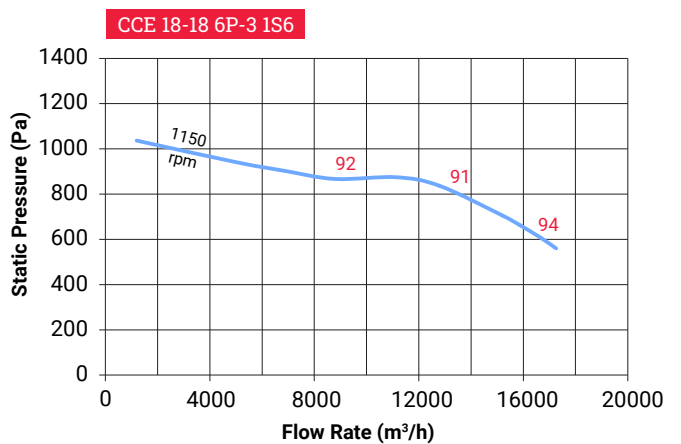
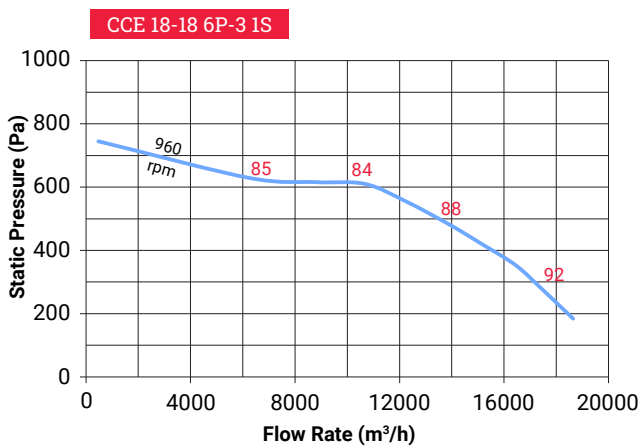
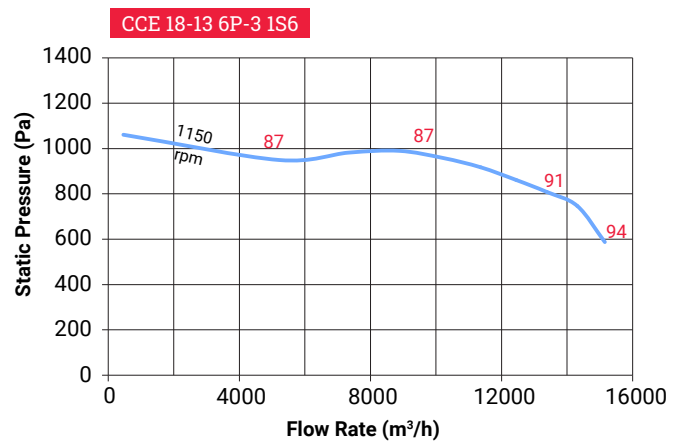
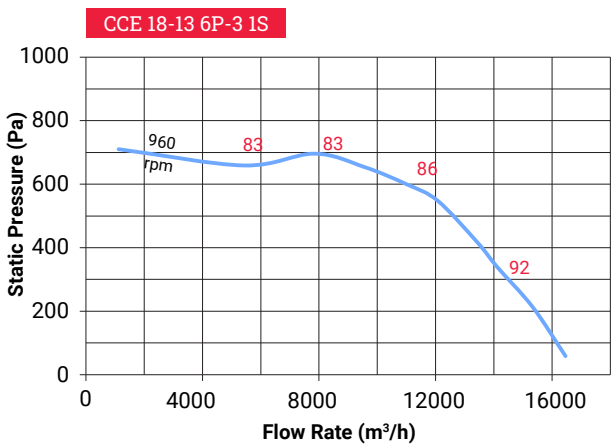
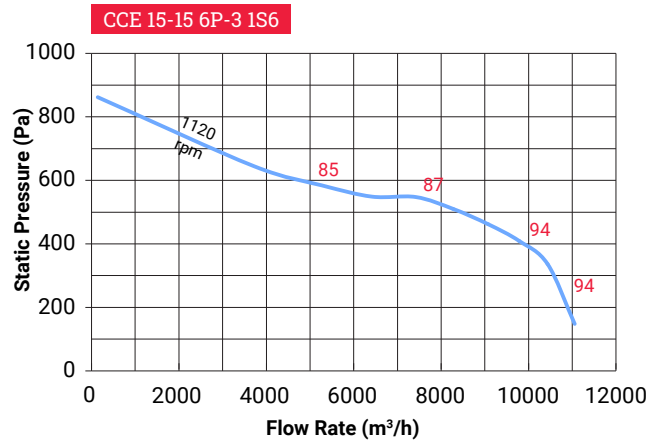
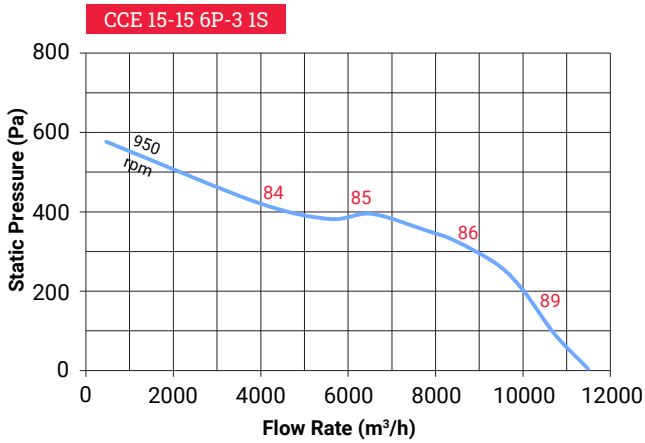


CCE 15-11 6P-3 1S



CCE 15-11 6P-3 1S6





- Values shown are for inlet Lwi(A) sound power levels for installation type D – Ducted inlet, Ducted outlet. The A-weighted sound ratings shown have been calculated per AMCA International Standard 301. Ratings include the effects of duct end correction.
- Performance certified is for installation type D – Ducted inlet, Ducted outlet.
- Performance ratings do not include the effects of appurtenances (accessories).
- Speed (RPM) shown is nominal. Performance is based on actual speed of test.



# KRUGER Ventilation Group

## THAILAND (Regional HQ)

KRUGER VENTILATION INDUSTRIES ASIA CO. LTD.  
30/159 Moo 1, Sinsakorn Industrial Estate,  
Chetsadawithi Road, Khok Kham Mueng, Samuthsakorn 74000, Thailand  
Tel: +662 1054298 Fax: +662 0248256-9  
Website: www.krugerfan.com

## THAILAND

KRUGER VENTILATION IND. (THAILAND) CO. LTD.  
30/105 Moo 1, Sinsakorn Industrial Estate,  
Chetsadawithi Road, Khok Kham Mueng, Samuthsakorn 74000, Thailand  
Tel: +662 1050399 Fax: +662 1050370-2  
Email: mktg@kruger.co.th

## INDIA

KRUGER VENTILATION INDUSTRIES (INDIA) PVT. LTD.  
Kruger Centre, Mumbai-Nasik Highway,  
Kalamgaon, Shahapur, Thane 421601, Maharashtra, India  
Tel: +91 996055899/9975577211  
Email: sales@krugerindia.com

## MIDDLE EAST

CONTACT: KRUGER VENTILATION INDUSTRIES (INDIA) PVT. LTD.  
Tel: +91 9766323730 / +91 9975577211  
Email: rahul@krugerindia.com

## INDIA (NORTH)

KRUGER VENTILATION INDUSTRIES (NORTH INDIA) PVT LTD  
Village Rohad, Tehsil Bahadurgarh, Hajar, Haryana-124507  
Tel. +91-9958991652/9958991660/8586966303  
Fax +91-1276-278096  
Email: sales.kni@krugerindia.com , service@krugerindia.com

## KOREA

NEOMATE CO. LTD.  
2-1010, Ace High Tech City B/D, 775 Gyeongin-ro,  
Yeongdeungpo-gu, Seoul, Korea. Postal Code 07299  
Tel: +82-2-2679-2052 Fax: +82-2-2679-2174  
Email: y7890@neomate.co.kr

## MYANMAR

KRUGER VENTILATION (MYANMAR) CO. LTD.  
Room No. F21, Thiri Yadanar Whole Sale Market, (Htawunbe)  
Toe Chae Ward, North Okkalapa Township, Yangon.  
Tel: +959 763141081/2/3  
Email: htoon@krugermm.com

## SINGAPORE

KRUGER ENGINEERING PTE. LTD.  
2 Venture Drive #20-23, Vision Exchange,  
Singapore 608526.  
Tel: +65 68631191 Fax: +65 68631151  
Email: mktg@krugerfan.com

## AUSTRALIA

S&P KRUGER AUSTRALIA PTY. LTD.  
2 Cunningham St, Moorebank N.S.W. 2170  
Tel: +61 2-98227747  
Fax: +61 2-98227757  
Email: info@sandpkruger.com.au

## INDONESIA

P.T. KRUGER VENTILATION INDONESIA.  
JL. Teuku Umar No.20,  
Karawaci - Tangerang 15115, Indonesia  
Tel: +62 21-5512288/5513557 Fax: +62 21-5513502  
Email: mktg@krugerindo.co.id

## CHINA (GUANGZHOU)

GUANGZHOU KRUGER VENTILATION CO. LTD.  
No. 9 Huahui Road, Huashan, Huadu,  
Guangzhou, P.R. China 510880  
Tel: +86 20-66356635 Fax: +86 20-86786001/86786500  
Email: gzkruger@krugergz.com

## CHINA (TIANJIN)

TIANJIN KRUGER VENTILATION CO. LTD.  
Jingjin Science and Technology Park  
Wuqing District, Tianjin, China  
Tel: +86 22-22143480/3481 Fax: +86 22-22143482  
Email: krugertj@krugertj.com

## CHINA (SHANGHAI)

Shanghai Kruger Ventilation Co.,Ltd.  
No.500 Yuanguo Road, Anting, Jiading District,  
Shanghai 201814, P.R. China  
Tel: +86 21-69573266 Fax: +86 21-69573296  
Email: shkruiger@krugerchina.com

## CHINA (WUHAN)

WUHAN KRUGER VENTILATION CO. LTD.  
No. 805, Huian Ave, Dongxihu District, Wuhan, Hubei, P.R. China 430040  
Tel: +86 27- 83248840/83060522/83097505  
Fax: +86 27- 83261886  
Email: whkruger@krugerwh.com

## HONG KONG

KRUGER VENTILATION (HONG KONG) LIMITED.  
Flat C, 9/F, Yeung Yiu Chung (No.8) Industrial Building,  
20 Wang Hoi Road, Kowloon Bay, Kowloon, Hong Kong  
Tel: +852 22469182 Fax: +852 22469187  
Email: info@kruger.com.hk

## TAIPEI

KRUGER VENTILATION (TAIWAN) CO. LTD.  
No. 157, Ping-an Rd, Hengfeng Village,  
Dayuan Shiang Taoyuan County 337, Taiwan  
Tel: +886 3-3859119 Fax: +886 3-3859118  
Email: sales@krugertwn.com.tw

## MALAYSIA

KRUVENT INDUSTRIES (M) SDN. BHD.  
Lot 850, Jalan Subang 7, Taman Perindustrian Subang,  
47500, Subang Jaya, Selangor D.E.  
Tel: +603 80743399 Fax: +603 80743388  
Email: mktg@kruger.com.my

## PHILIPPINES

KRUGER M & E INDUSTRIES CORP.  
B3 Welborne Industrial Park  
Banca Carmona Cavite 4116, Philippines  
Tel: +63-917-561-9088 / +63-917-596-7288  
+63-917-712-8438 / +63-917-306-8288  
Email: mktg@krugerph.net

## VIETNAM

KRUGER VENTILATION INDUSTRIES (VIETNAM) CO. LTD.  
Lot A7. 2-4, C2 Road, Thanh Thanh Cong IZ,  
Trang Bang Dist. Tay Ninh Province, Vietnam  
Tel: +84-276 3585200/01/02 Fax: +84-276 3585199  
Email: mktg@krugervn.com



**Kruger Ventilation Industries Asia Co., Ltd.**

30/159 Moo 1, Sinsakorn Industrial Estate  
Chetsadawithi Road, Khok Kham Mueng,  
Samuthsakorn 74000, Thailand  
Tel: +662 1054298 Fax: +662 0248256-9  
Website: [www.krugerfan.com](http://www.krugerfan.com)

**CAT051.E0** September 2022

**A member of**

