

# Panasonic

## Mini Sirocco Fan

Compact Solution for Fresher Indoor Air



- Compact
- High Connectivity
- Easy Maintenance



## More Compact

With the optimal air passage design, the body size is compact. It enables easy installation in narrow and limited space environment.

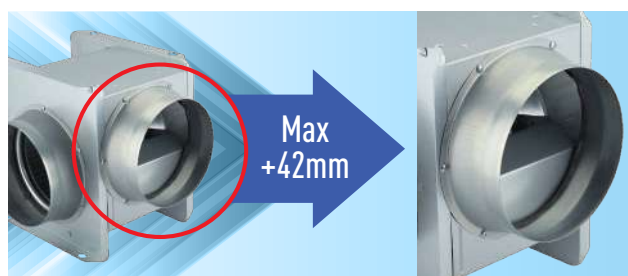
## Simplified Maintenance

By unitizing the fan and motor as one single unit, the impeller can be replaced and cleaned without removing the duct. It facilitates more user-friendly maintenance.



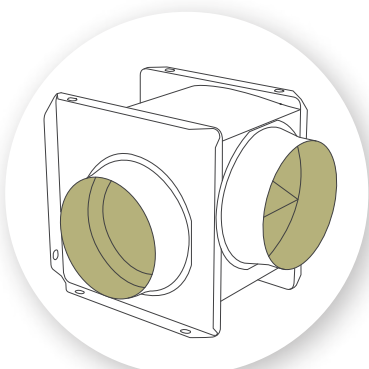
## Higher Duct Connectivity

Compared to previous models, there has been improvement on the adapter design. With the extended adapter, duct connectivity is enhanced.



## Easy Installation

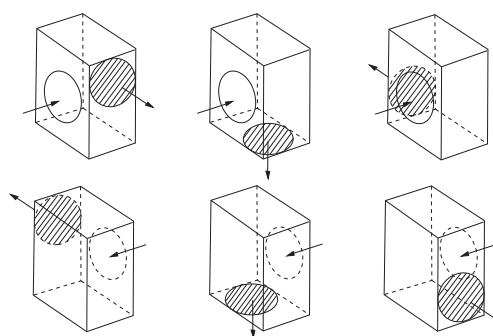
The inlet and outlet of the sirocco fan are of the same size for easy connection to a ducted system. The fan can be mounted on the ceiling.



## Adjustable Outlet Direction

With the mounting feet on the fan body, installation has become easier. Outlet direction is adjustable to fit vertical or horizontal position.

Various installing patterns satisfy different installation space

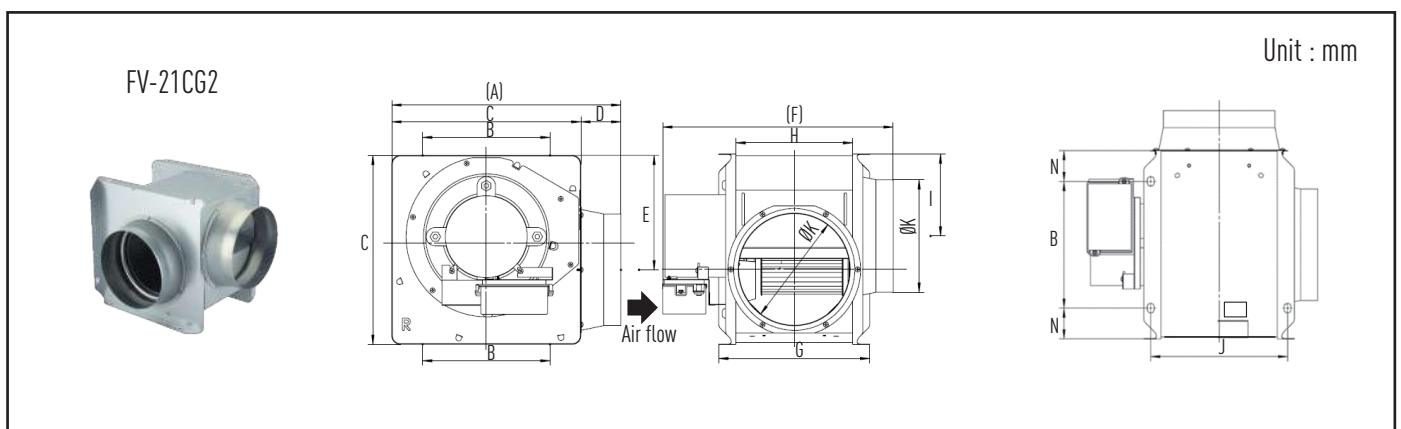
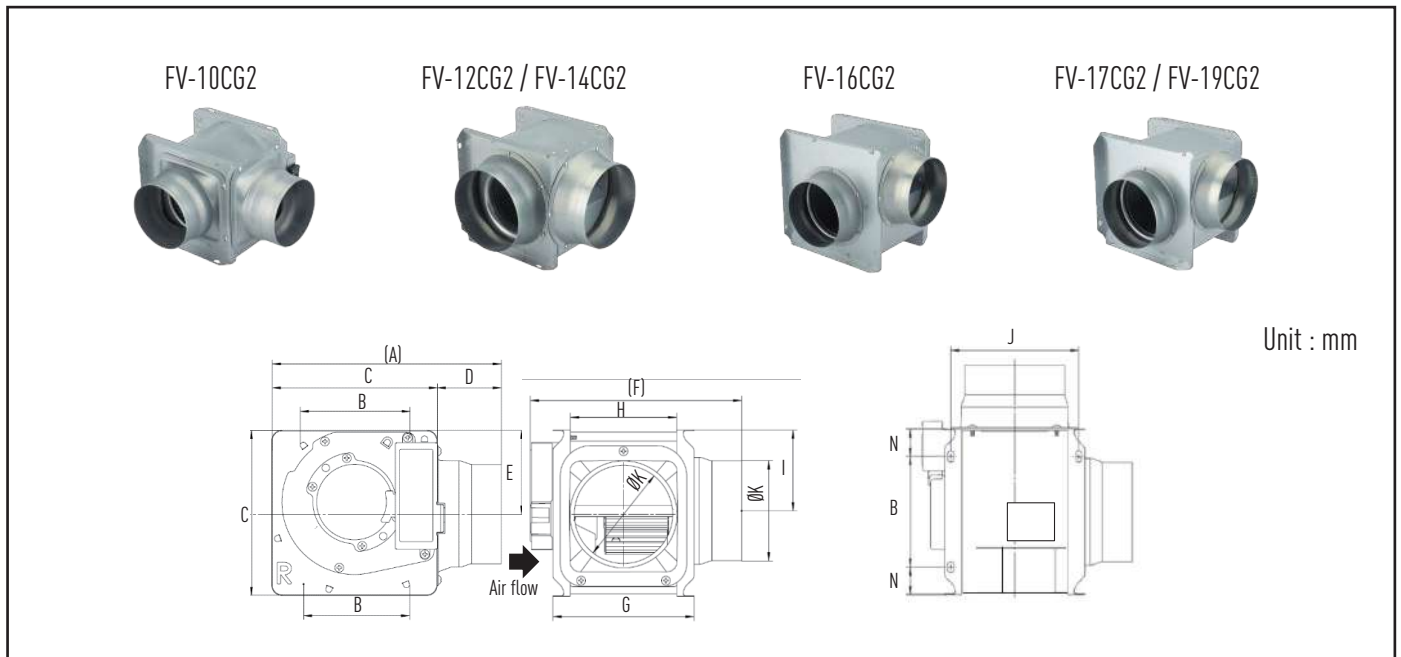


**FV-10CG2 / FV-12CG2 / FV-14CG2 / FV-16CG2 / FV-17CG2 /  
FV-19CG2 / FV-21CG2**



- Compact size for narrow space installation
- Extended adapter for high duct connectivity
- Long life induction motor with thermal cut-off
- Well lubricated ball bearing for long life operation
- High efficient sirocco fan designed for powerful airflow
- Outlet direction adjustable to vertical or horizontal position

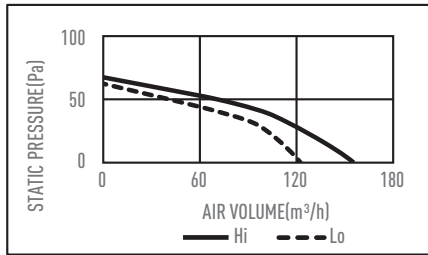
# Dimensions



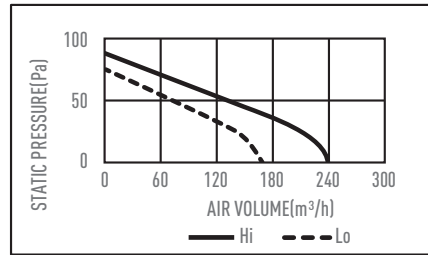
Model	A	B	C	D	E	F	G	H	I	J	K	N	Connector Duct Dimension (mm)
FV-10CG2	226	109	163	63	83	207	138	104	79	126	98	27	Ø100
FV-12CG2	269	145	209	60	112	236	170	136	101	158	146	32	Ø150
FV-14CG2													
FV-16CG2	330	196	270	60	170	264	189	155	117	177	146	37	Ø150
FV-17CG2	400	222	330	71	200	332	263	203	142	239	195	55	Ø200
FV-19CG2													
FV-21CG2	400	222	330	71	200	403	263	203	142	239	195	55	Ø200

# Performance

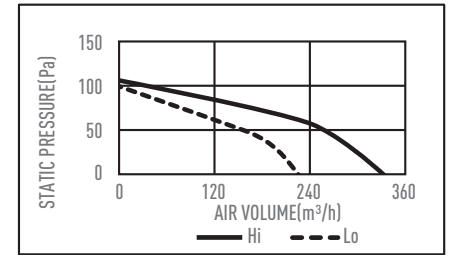
FV-10CG2



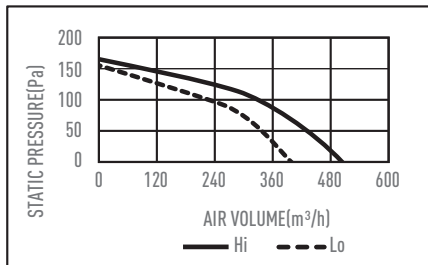
FV-12CG2



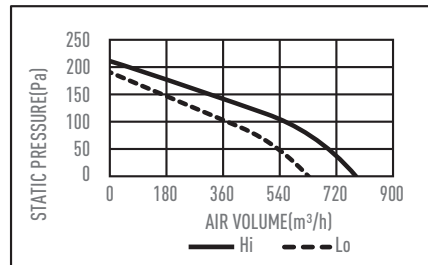
FV-14CG2



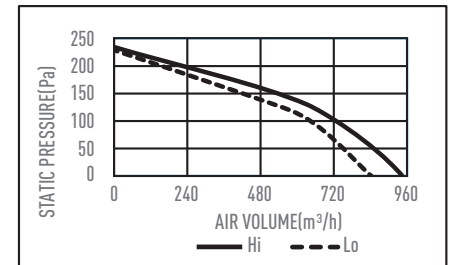
FV-16CG2



FV-17CG2

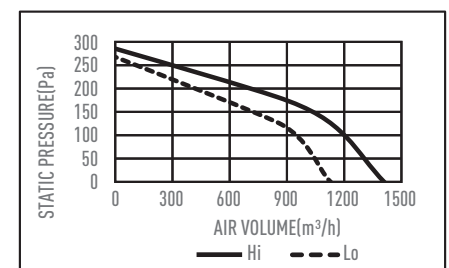


FV-19CG2



\*Values in the Performance diagram are at 220V and 50Hz.

FV-21CG2



# Specification

Model	Voltage [V]	Frequency [Hz]	Speed	Air Volume [CMH]	Consumption [W]	Noise Level [dB]		Net Weight [kg]
						Inlet	Side	
FV-10CG2	220	50	Hi	154	15	41.0	28.0	1.9
			Lo	115	12	35.5	24.0	
FV-12CG2	220	50	Hi	250	22	44.0	29.0	2.5
			Lo	175	16	32.0	19.0	
FV-14CG2	220	50	Hi	332	35	50.0	34.0	2.8
			Lo	226	28	40.0	26.0	
FV-16CG2	220	50	Hi	509	50	49.0	35.0	5.6
			Lo	405	43	43.5	30.0	
FV-17CG2	220	50	Hi	791	86	50.0	36.0	10.1
			Lo	640	70	44.0	31.0	
FV-19CG2	220	50	Hi	947	121	55.0	41.0	10.2
			Lo	857	105	51.5	37.0	
FV-21CG2	220	50	Hi	1420	238	67.0	54.0	14.6
			Lo	1143	182	60.0	47.0	

Notes:

The values of rated input, air volume and noise are specified at the static pressure of 0 Pa.

The values of noise level is A weighted average sound pressure level, the mean values are measured by our company, within +3 and -7 tolerance.

The values of noise level are measured at the 1.5m apart from the inspection panel of the fan body when ducts are connected on both inlet and outlet side. It is based on the assumption that the noise of fan body propagates to room inside.

The values of air volume are the mid-points of results measured by our company, with ±10% tolerance.



Panasonic Ecology Systems Co., Ltd.  
<https://www.peshk.panasonic.hk/>

- Specifications are subject to change without prior notice.  
 - Actual colors may vary slightly from those shown.