

# Compact Axial



Single Phase:

FY-25DSF2NET  
FY-28DSM2NET  
FY-35DSM2NET

FY-40DSL2NET  
FY-40DSH2NET  
FY-45DST2NET

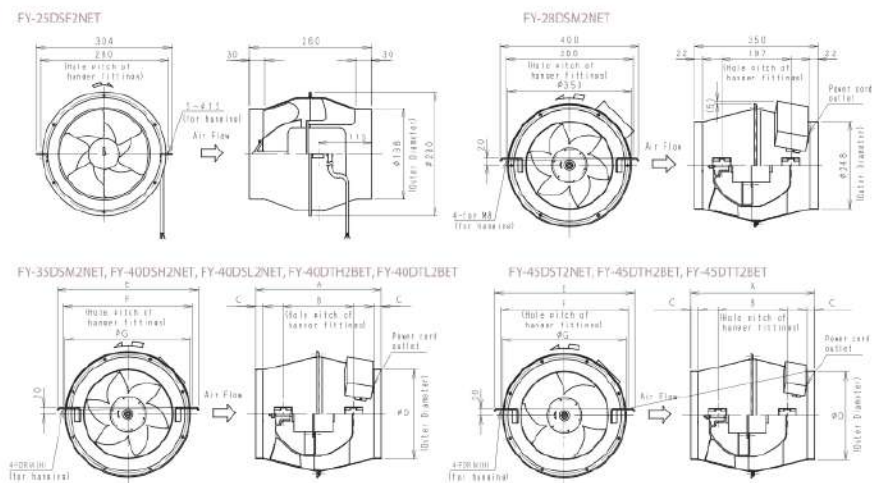
Three Phase:

FY-40DTL2BET  
FY-40DTH2BET

FY-45DTT2BET  
FY-45DTH2BET

## Dimension

Unit: mm



Model	A	B	C	D	E	F	G	H
FY-35DSM2NET	410	206	21.5	298	460	426	415	8
FY-40DSH2NET	480	206	26	347	525	491	480	8
FY-40DSL2NET	480	206	26	347	525	491	480	8
FY-40DTH2BET	480	206	26	347	525	491	480	8
FY-40DTL2BET	480	206	26	347	525	491	480	8
FY-45DST2NET	540	218	25.5	395	588	554	546	10
FY-45DTH2BET	540	218	25.5	395	588	554	546	10
FY-45DTT2BET	540	218	25.5	395	588	554	546	10

## Specification

Model	Phase	Voltage	Air Volume		Input (W)	Speed (rpm)	Noise (dB(A))			Weight (Kg.)	Duct Size (mm.)	
			CMH	CFM			Suction	Casing	Discharge			
FY-25DSF2NET	Hi	1	220	600	353	34	1,438	51	41	50.5	4.7	Ø 200
	Lo			550	324	27	1,418	49	39.5	48.5		
FY-28DSM2NET	Hi	1	220	1,194	703	51	1,290	54.5	44.5	54	8.5	Ø 250
	Lo			1,050	618	55	1,176	52	42	51.5		
FY-35DSM2NET	Hi	1	220	2,016	1,187	95	1,267	58.5	45.5	56	13	Ø 300
	Lo			1,782	1,048	87	1,189	54	43	53.5		
FY-40DSL2NET	Hi	1	220	3,228	1,899	204	1,303	68	56	67.5	20	Ø 350
	Lo			3,084	1,814	194	1,243	66	54	65.5		
FY-40DSH2NET	Hi	1	220	3,504	2,661	256	1,433	67.5	55.5	67	22	Ø 350
	Lo			3,444	2,026	233	1,382	65.5	53.5	65		
FY-45DST2NET	Hi	1	220	4,968	2,922	428	1,446	69.5	59.5	69.5	37	Ø 400
	Lo			4,206	2,474	398	1,420	68	58	68		
FY-40DTL2BET	Hi	3	380	3,396	1,998	241	1,383	68	56	67.5	18	Ø 350
	Lo			3,330	1,959	237	1,341	66	54	65.5		
FY-40DTH2BET	Hi	3	380	3,426	2,015	250	1,383	68	56	67.5	19	Ø 350
	Lo			3,264	1,920	220	1,343	67	55	66.5		
FY-45DTT2BET	Hi	3	380	5,004	2,944	421	1,435	71	61	71	36	Ø 400
	Lo			4,860	2,859	397	1,425	70.5	60.5	70.5		
FY-45DTH2BET	Hi	3	380	5,454	3,208	511	1,438	68.5	59	68.5	37	Ø 400
	Lo			5,250	3,088	482	1,427	68	58.5	68		

Note: The value in Specification tables are representative characteristic value at 220V, 380V, 50Hz.  
R.P.M. data is for reference only, values may vary subject to different conditions.