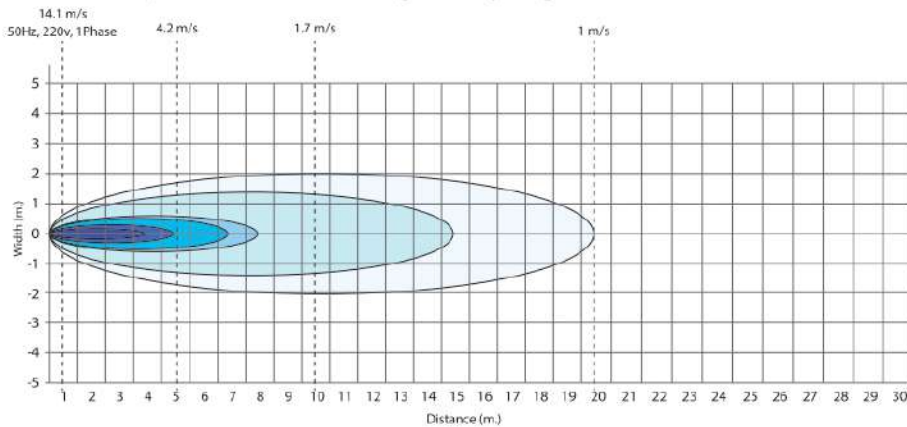


Fine Factory Fan

Model : FY-45DSL-SP

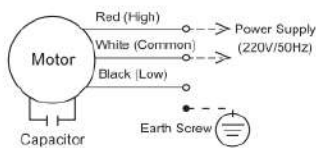
- Unique nozzle for long distance air distribution
- Narrow distribution, able to distribute strong wind by long distance



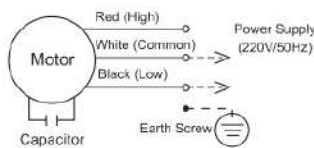
Longitudinal Coverage (m.)											Central Portion					
20	17	15	12	10	9	8	7	6	5	4	3	2	1	Attainment velocity of the wind (m/s)	Velocity of Wind	
1	1.2	1.3	1.5	1.7	1.85	2.1	3	3.25	4.2	5.45	6.55	8.28	14.1		Velocity of the wind diffusion radius	1 m/s or more
	1.51	1.62	2.06	1.86	1.78	1.76	1.72	1.53	1.39	1.21	0.92	0.73	0.47	2 m/s or more		
			0.54	1.02	1.15	1.16	1.3	1.27	1.2	0.96	0.76	0.59	0.37	3 m/s or more		
							0.42	0.61	0.65	0.67	0.41	0.39	0.3	4 m/s or more		
								0.12	0.26	0.44	0.5	0.44	0.32	5 m/s or more		
										0.18	0.36	0.34	0.29	6 m/s or more		
											0.29	0.27	0.26			

Wiring Diagram

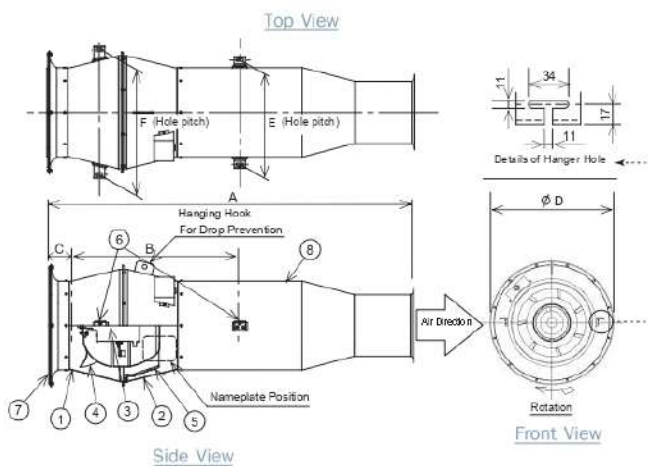
Speed : Hi



Speed : Low



Dimension



Specification

Model	FY-45DSL-SP	
Installation Place	Indoor	
Electricity Supply	220/1/50	
Air Volume	4,653 m ³ /h	
Input	523 W	
Current	2.38 A	
Max. distance at 1m/s	20 m.	
Weight	51 kg.	
Noise Value	Side	62 dB(A)
	Intake Side	68 dB(A)
	Exhaust Side	68 dB(A)

Dimension

Unit : mm.

Model	A	B	C	D	E	F
FY-45DSL-SP	1653	634	234	550	467	554

List of Part Name

- ① Casing A
- ② Casing B
- ③ Motor
- ④ Fan
- ⑤ Guide Vane
- ⑥ Hanger Fittings
- ⑦ Guard
- ⑧ Duct