

Wall Mount Type

Ventilating Fan



FV-15AST1 / FV-20AUT3 / FV-25AUT3 / FV-30AUT3 / FV-20AYT1

Normal Shutter Series

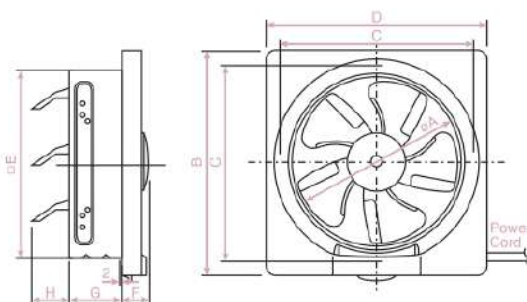
FV-20RUT2 / FV-25RUT2 / FV-30RUT2

Reversible Series

- HP condenser motor with thermal cut-off
- Well lubricated bearing for long life operation
- Propeller fan incorporated with advanced blade design (except FV-30AUT3 and FV-30RUT2)
- For reversible series, on-off and reversible function operated by pull cord switch

Dimension

Unit : mm



Model No.	A	B	C	D	E	F	G	H
FV-15AST1	155	254	195	240	170	52	75	54
FV-20AYT1	208	306	260	302	240	52	90	60
FV-20AUT3	200	306	260	302	240	52	90	80
FV-25AUT3	250	356	310	352	290	38	90	63
FV-30AUT3	300	406	360	402	340	38	90	78
FV-20RUT2	200	306	260	302	240	52	90	80
FV-25RUT2	250	356	310	352	290	38	90	63
FV-30RUT2	300	406	360	402	340	38	90	78

Specification

Model	Air Volume		Input (W)	Speed (rpm)	Noise (dB(A))	Weight (Kg.)	Grill Size W x L (mm.)	Installation space W x L (mm.)
	CMH	CFM						
FV-15AST1	290	170	17.3	1,480	31.0	1.4	240 x 254	170 x 170
FV-20AYT1	380	224	15	1,365	36.5	2.0	302 x 306	250 x 250
FV-20AUT3	580	341	20	1,250	37.5	2.0	302 x 306	250 x 250
FV-25AUT3	920	541	27	1,100	39.0	2.4	352 x 356	300 x 300
FV-30AUT3	1,152	678	31	890	39.0	2.7	402 x 406	350 x 350
FV-20RUT2	EX	580	341	20	1,260	36.0	302 x 306	250 x 250
	IN	405	238	15	1,150	46.0		
FV-25RUT2	EX	945	556	27	1,090	38.0	352 x 356	300 x 300
	IN	600	353	21	1,010	45.0		
FV-30RUT2	EX	1,164	685	31	885	39.0	402 x 406	350 x 350
	IN	698	411	24	760	43.0		

Note: The value in Specification tables are representative characteristic value at 220V, 50Hz.
R.P.M. data is for reference only, values may vary subject to different conditions.
The noise level is measured at 1 meter from fan.