

High Pressure Industrial Type

Ventilating Fan



Single Phase

**FV-25GS4 / FV-30GS4 / FV-35GS4 / FV-40GS4 /
FV-45GS4 / FV-50GS4 / FV-60GS4**

Three Phase

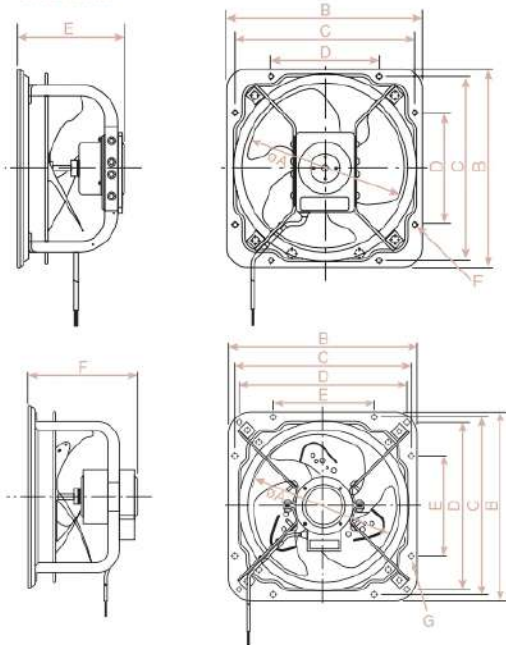
FV-45GT4 / FV-50GT4 / FV-60GT4

High Pressure Series

- Reversible
- Bellmouth construction with distinctive wave-shaped blade
- Durable powder coating
- High performance motor with thermal cut-off
- Able to be used over an ambient temperature range from -10°C to +50°C
- Possible to install horizontally or vertically
- Remark: Wire guard, rain hood and shutter are supplied as accessories

Dimension

Unit : mm



Model No.	A	B	C	D	E	F
FV-25GS4	250	327	298	165	171	10
FV-30GS4	300	378	349	210	200	10
FV-35GS4	350	467	434	250	236	12

Model No.	A	B	C	D	E	F
FV-40GS4	400	518	485	280	274	12
FV-45GS4	450	570	540	320	297	12
FV-50GS4	500	659	620	355	315	15
FV-60GS4	620	760	720	400	320	15
FV-45GT4	450	570	540	320	297	12
FV-50GT4	500	659	620	355	304	15
FV-60GT4	620	760	720	400	320	15

Specification

Model	Phase	Voltage	Air Volume		Input (W)	Speed (rpm)	Noise (dB(A))	Weight (Kg.)	Installation Space W x L (mm.)
			CMH	CFM					
FV-30KUT	1	220	1,220	718	42	1,185	46	4.9	340 x 340
FV-40KUT			2,065	1,216	61	1,175	49	6.4	434 x 434
FV-50AET2			3,630	2,137	112	920	54	11.5	526 x 526
FV-25GS4			1,150	676	45	1,360	34	4.4	275 x 275
FV-30GS4			1,820	1,071	68	1,360	38	6.1	325 x 325
FV-35GS4			2,560	1,506	101	1,420	44	10.5	395 x 395
FV-40GS4			3,610	2,124	185	1,450	47	19.0	445 x 445
FV-45GS4			5,200	3,060	261	1,410	51	19.0	500 x 500
FV-50GS4			6,130	3,607	286	960	47	22.5	555 x 555
FV-60GS4			8,040	4,731	282	970	50	34.0	675 x 675
FV-45GT4	3	380	5,420	3,189	220-330	1,460	52	18.5	500 x 500
FV-50GT4			7,240	4,260	320-475	1,400	54	28.5	555 x 555
FV-60GT4			9,700	5,708	310-450	960	50	34.0	675 x 675

Note: The value in Specification tables are representative characteristic value at 220V, 380V, 50Hz.
R.P.M. data is for reference only, values may vary subject to different conditions.