



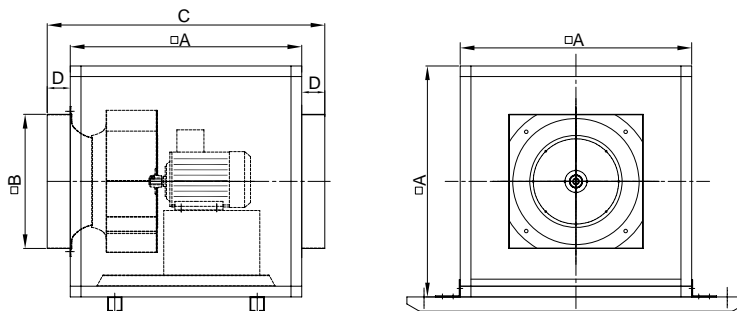
# *CFB Series*

CABINET FAN



- CFB Series are designed to provide ventilation solutions for ducted systems with high system resistance.
- All models incorporate with direct driven backward curved centrifugal fans.
- Applications include commercial offices, restaurants, commercial and industrial kitchens.
- The fan casings are manufactured from galvanized sheet steel.
- Internally lined with acoustic insulation are available upon request.
- All models are supplied with duct connection on the discharge and inlet ends.

## Dimension



Model	□A	□B	C	D	Wt (kg)
CFB 250 4P-3	510	284	640	65	26
CFB 280 4P-3	545	312	675	65	30
CFB 315 4P-3	590	354	720	65	38
CFB 355 4P-3	625	388	755	65	46
CFB 400 4P-3	660	432	790	65	62
CFB 500 4P-3	800	525	930	65	94
CFB 560 4P-3	900	590	1030	65	105
CFB 560 6P-3	900	590	1030	65	110
CFB 630 6P-3	1000	660	1130	65	120
CFB 710 6P-3	1140	750	1270	65	160
CFB 800 6P-3	1280	840	1410	65	220

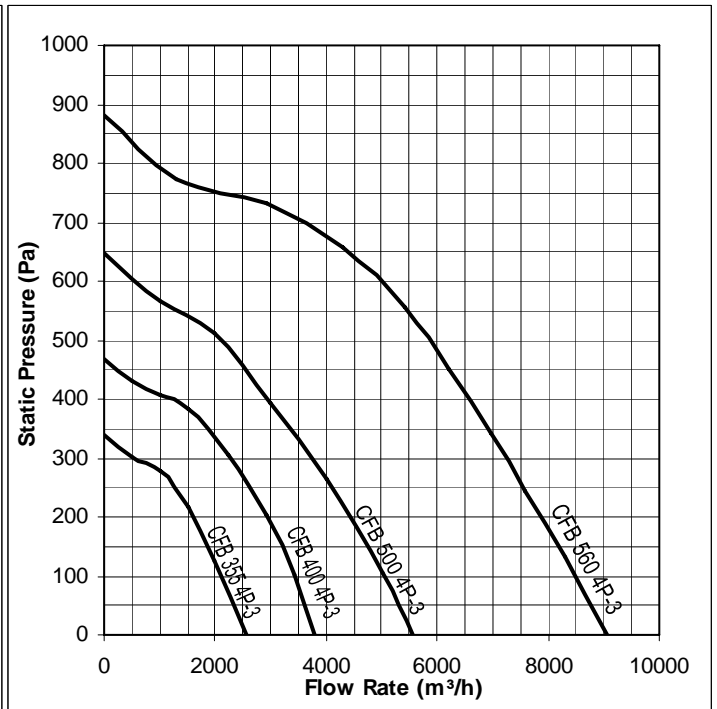
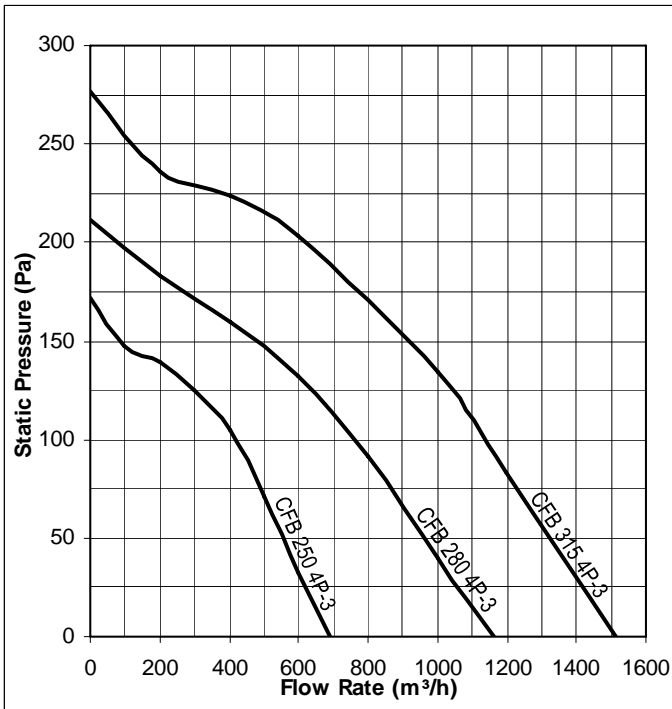
All dimension in mm.

## Technical Data

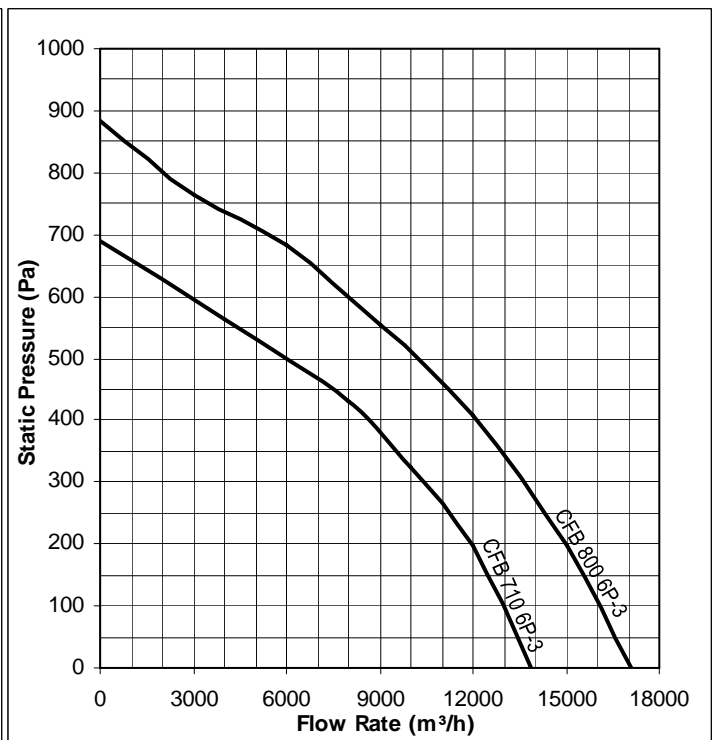
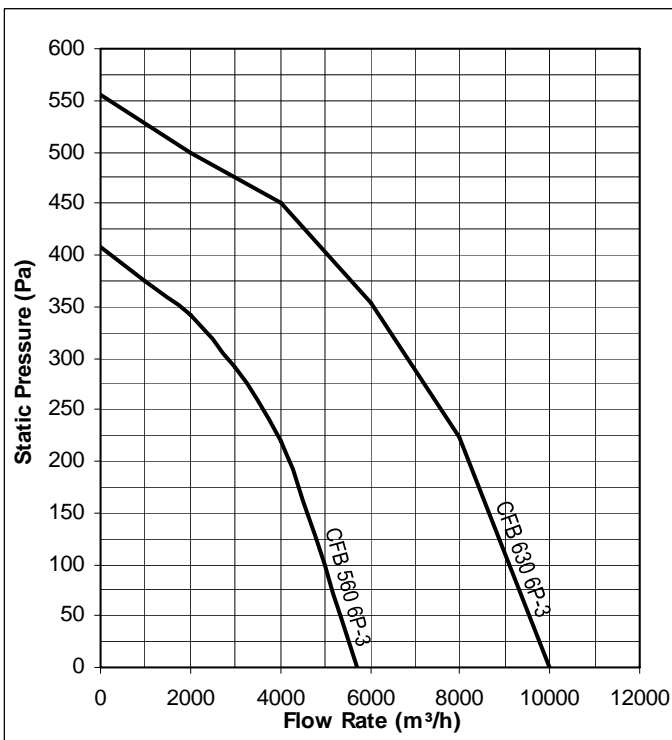
Model	Max Q m <sup>3</sup> /h	Power W	Motor Protection	Motor	N° Pole	Hz	Max Amp	Volt	Insulation Class	dB (A) at 3m	RPM
CFB 250 4P-3	690	370	IP55	3 Phase	4	50	0.17	400	F	26	1340
CFB 280 4P-3	1150	370	IP55	3 Phase	4	50	0.35	400	F	29	1340
CFB 315 4P-3	1520	370	IP55	3 Phase	4	50	0.5	400	F	36	1340
CFB 355 4P-3	2600	370	IP55	3 Phase	4	50	0.8	400	F	36	1340
CFB 400 4P-3	3750	750	IP55	3 Phase	4	50	1.5	400	F	42	1380
CFB 500 4P-3	5600	1100	IP55	3 Phase	4	50	1.8	400	F	46	1390
CFB 560 4P-3	8800	2200	IP55	3 Phase	4	50	4.8	400	F	54	1410
CFB 560 6P-3	5700	1100	IP55	3 Phase	6	50	3.3	400	F	47	915
CFB 630 6P-3	10000	1500	IP55	3 Phase	6	50	3.9	400	F	47	930
CFB 710 6P-3	14000	3000	IP55	3 Phase	6	50	5.4	400	F	52	960
CFB 800 6P-3	17100	4000	IP55	3 Phase	6	50	6.9	400	F	54	960

\* dB(A) at 3m measured at free discharge.

**Performance Data - 4 Pole**

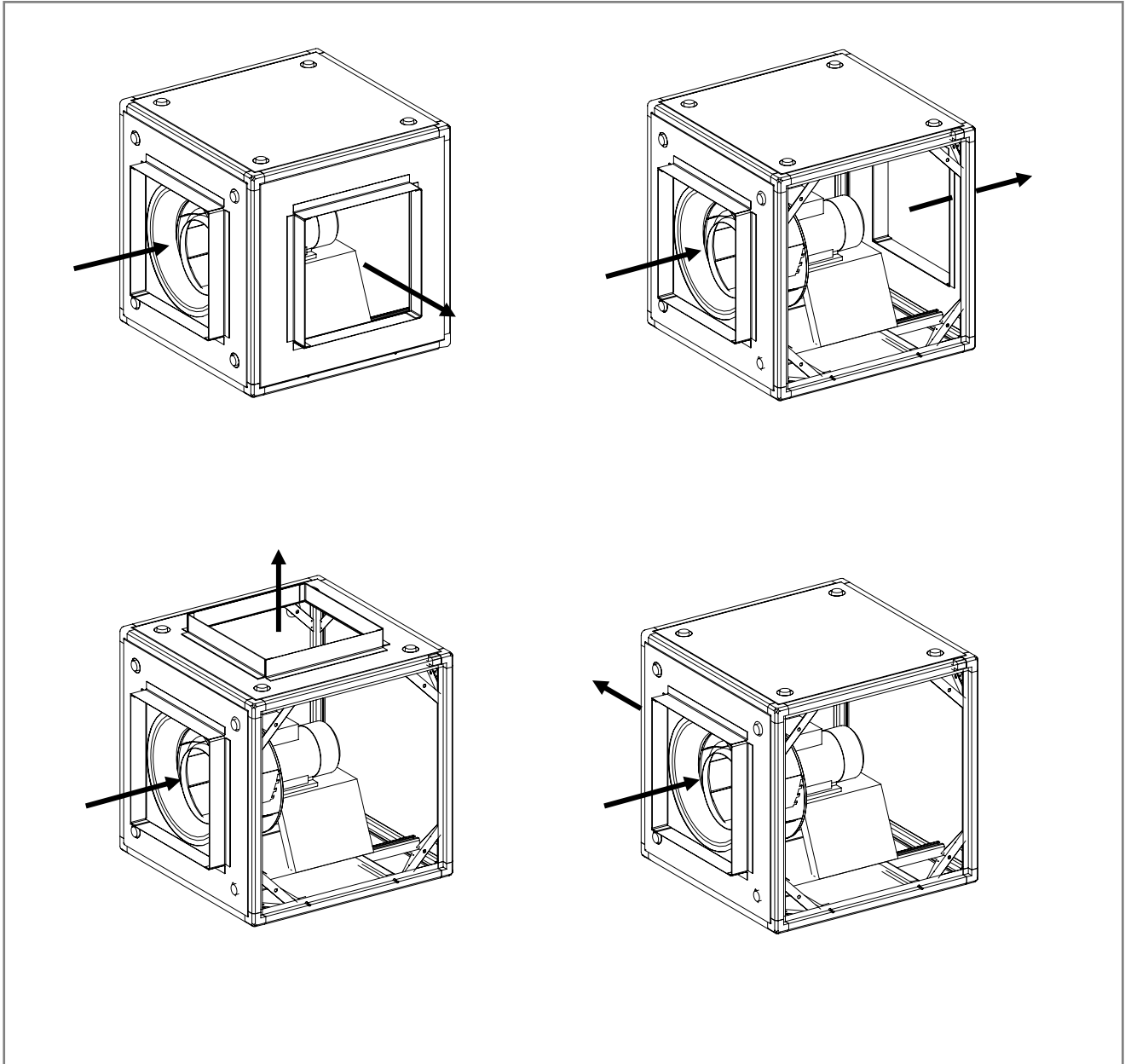


**Performance Data - 6 Pole**



### Installation options

The CFB series of cabinet fans offers a flexible solution to installation whereby the configuration discharge ports can be changed by simply altering the positioning of panel.



The company is always improving and developing its products, therefore the company reserves the right of making changes to the illustrated products. Certified dimension can be provided upon request.