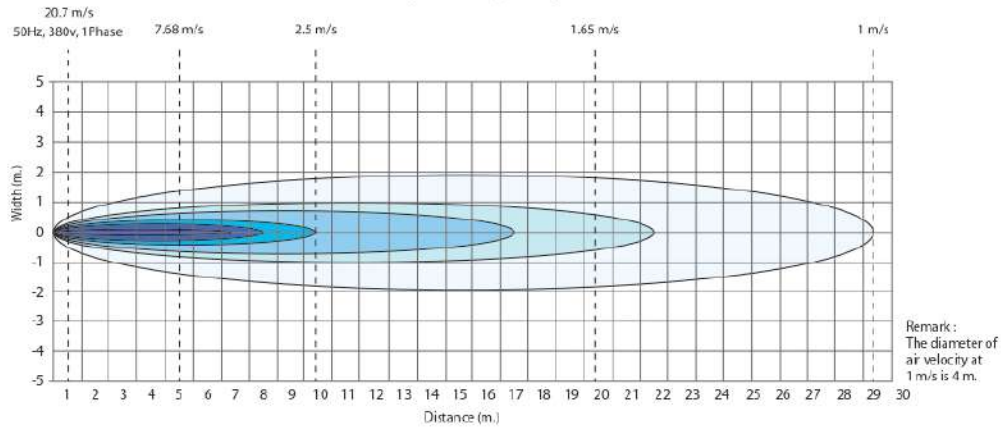


Fine Factory Fan

Model : FY-55DTH-SP

- Unique nozzle for long distance air distribution
- Narrow distribution, able to distribute strong wind by long distance

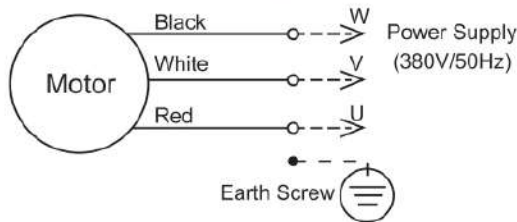


Longitudinal Coverage (m.)																		
Attainment velocity of the wind (m/s)																		
30	25	22	20	17	15	12	10	9	8	7	6	5	4	3	2	1	Central Portion	Velocity of Wind
1	1.42	1.53	1.65	1.84	2.15	2.32	2.53	3.21	4.78	5.76	6.22	7.68	10.6	12.5	16.6	20.7		
0.5	1.5	1.65	1.84	1.83	1.8	1.52	1.39	1.34	1.31	1.17	1.06	0.96	0.8	0.64	0.48	0.37	Velocity of the wind diffusion radius (m.)	1 m/s or more
		0.74	0.75	0.82	0.85	0.91	0.93	1.01	1.02	0.86	0.8	0.76	0.62	0.45	0.35	2 m/s or more		
			0.54	0.65	0.69	0.73	0.74	0.84	0.72	0.68	0.64	0.6	0.42	0.34	3 m/s or more			
						0.4	0.46	0.49	0.52	0.51	0.5	0.49	0.4	0.29	4 m/s or more			
								0.31	0.34	0.36	0.38	0.42	0.38	0.24	5 m/s or more			
										0.16	0.26	0.31	0.39	0.24	0.22	6 m/s or more		

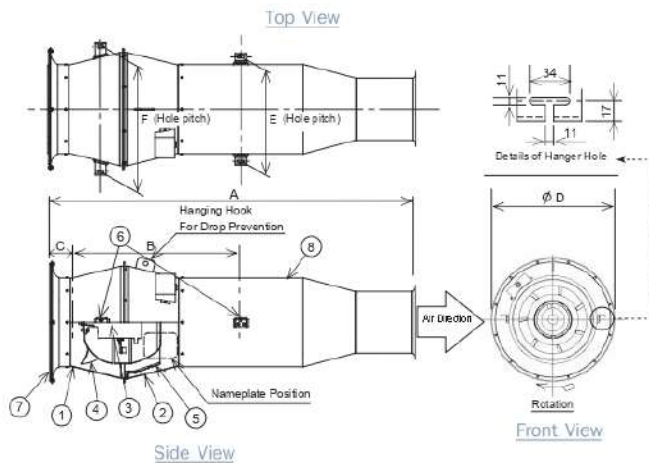
Specification

Model	FY-55DTH-SP	
Installation Place	Indoor	
Electricity Supply	380/3/50	
Air Volume	8,100 m ³ /h	
Input	1240 W	
Current	3.05 A	
Max. distance at 1m/s	30 m.	
Weight	68 kg.	
Noise Value	Side	69 dB(A)
	Intake Side	78 dB(A)
	Exhaust Side	78 dB(A)

Wiring Diagram



Dimension



Dimension

Unit : mm.

Model	A	B	C	D	E	F
FY-55DTH-SP	1858	830	153	630	515	556

List of Part Name

- | | |
|------------|-------------------|
| ① Casing A | ⑤ Guide Vane |
| ② Casing B | ⑥ Hanger Fittings |
| ③ Motor | ⑦ Guard |
| ④ Fan | ⑧ Duct |